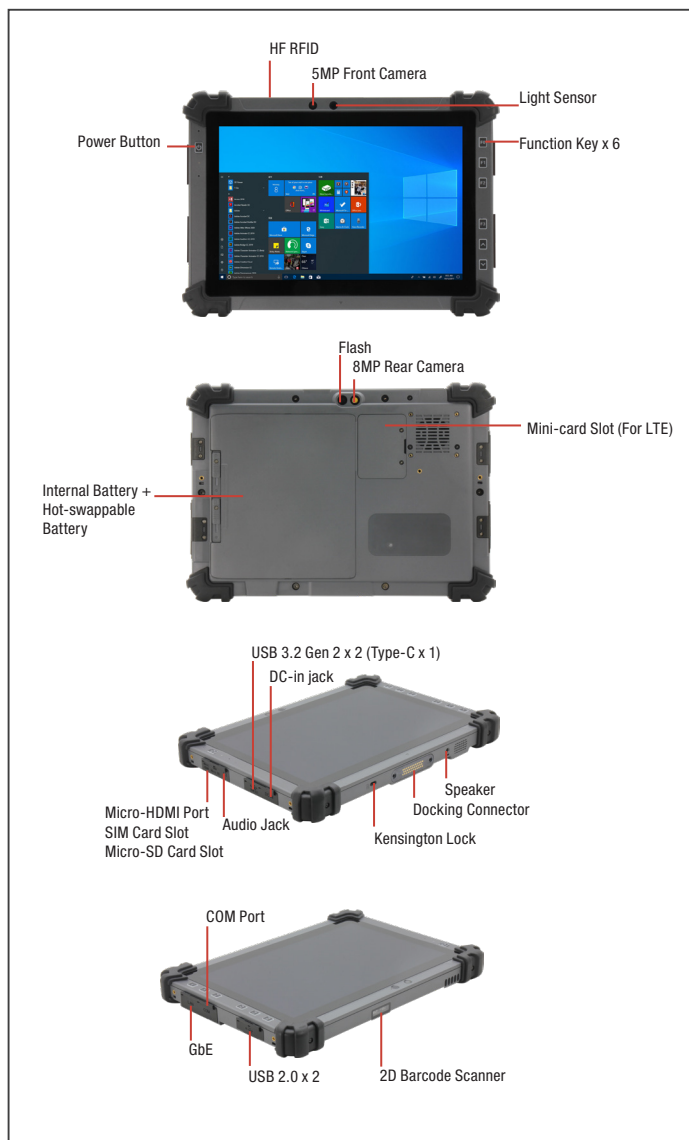


RTC-1020

10.1" Rugged Tablet Featuring 11th Gen Intel® Core™/Celeron® Processors



Specifications

System Architecture	
Processor	11th Gen Intel® Core™/Celeron® Processor SoC Intel® Core™ i5-1145G7E Intel® Core™ i3-1115G4E Intel® Celeron® 6305E
Operating System	Windows® 10 IoT Enterprise SAC (Default)
Memory	Onboard LPDDR4X, 8GB (Default)/16GB/32GB
Storage	M.2 SSD, 64GB/128GB/256GB (Default: 64GB)
Display	10.1" FHD (1920 x 1200) 450 nit/800 nit TFT LCD with Projected Capacitive Multi Touch Screen
I/O Port	Micro-HDMI port x 1, SIM card slot x 1, Micro-SD card slot x 1, Audio jack x 1 (3.5mm), USB 3.2 Gen 2 x 2 (Type-C x 1, Type-A x 1), USB 2.0 x 2, DC-in Jack x 1, RS-232/422/485 COM Port x 1, 10/100/1000 Base-T RJ45 x 1
Communication	Wi-Fi 802.11 a/b/g/n/ac Bluetooth v5.1 (EDR + BLE) Intel AC9260
Navigation	Up to 3 GNSS, GPS + Galileo (Default), GLONASS, BeiDou (Optional)
WWAN(optional)	LTE via M.2 slot (Optional)
Camera	5MP front camera, 8MP rear camera with flash
Sensor	G-sensor, E-compass, Gyro-sensor, Light-sensor
Expansion Slot	M.2 M-Key for SSD (PCIe [x4]/ SATA III) M.2 E-Key for WiFi/BT (PCIe [x1]/USB 2.0) M.2 B-Key for LTE (USB 2.0) Docking Connector: USB 3.2 Gen 2 x 1

Features

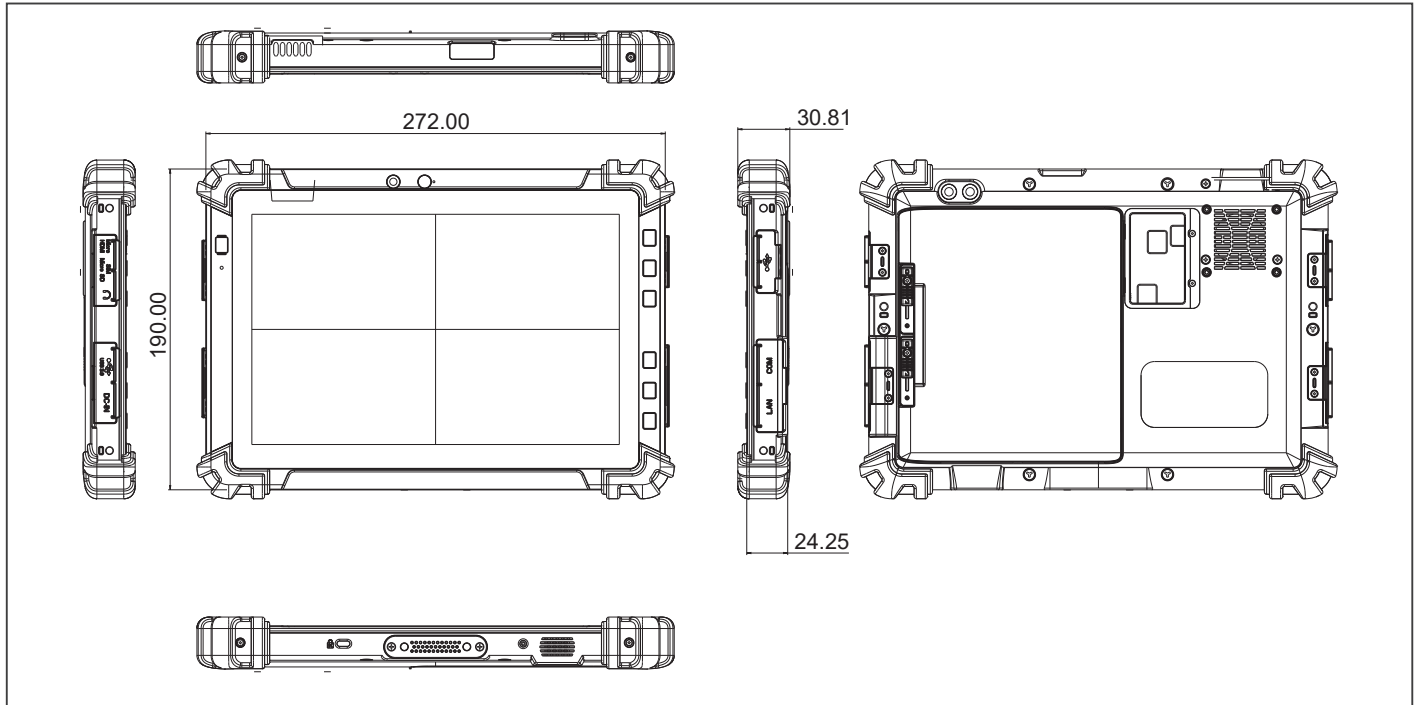
- 10.1" FHD (1920 x 1200) 450-nit/800-nit TFT LCD
- 11th Gen Intel® Core™/Celeron® Processors
- Onboard LPDDR4X, 8GB (Default)/16GB/32GB
- M.2 SSD, 64GB (Default)/128GB/256GB
- WiFi 802.11 a/b/g/n/ac, Bluetooth 5.1, LTE (Optional)
- 5MP Front and 8MP Rear Camera
- RS-232/422/485 + 10/100/1000 Base-T RJ45
- USB 3.2 Gen 2 x 2 (USB Type-C x 1), USB 2.0 x 2
- 2D Barcode Scanner (Optional)
- HF RFID (NFC) Reader (Optional)
- Up to 3 GNSS: GPS + Galileo (Default), GLONASS, BeiDou (Optional)
- Hot-Swappable Battery, 14.4V/ 2270mAh, 32.7W x 2 (51.1W x 2, Optional)
- MIL-STD-810H, IP65 Compliant, Drop 122cm
- Programmable Function Key: F0, F1, F2, F3, Volume Up/Down, with LED illumination
- Windows® 10 IoT (Default)



Barcode Scanner (Optional)	2D Barcode scanner, OPTICON MDI-4100-USB (Optional)
HF RFID (Optional)	ISO 15693 (R/W), ISO 18092 (R/W), ISO 14443-A (R/W), ISO 14443-B (Only Read UID), Depend on card type
Audio	Speaker x 1
Physical Key	F0 or Windows (Windows Start Key), F1 (BCR Trigger Button (When BCR is enabled)), F2 (Screenprint), F3 (Ctrl+Alt+Del), Volume Up (Speaker Volume Up), Volume Down (Speaker Volume Down)
Mechanical	
Color	Black & Dark Grey
Dimension (W x H x D)	10.71" x 7.48" x 0.94" (272.0 x 190.0 x 24.0 mm)
Gross Weight	3.3 lb. (1.5Kg) based on configurations
Environmental	
Operating Temperature	-4°F ~ 122°F (-20°C ~ 50°C)
Storage Temperature	-22°F ~ 158°F (-30°C ~ 70°C)
Humidity	0% ~ 90% relative humidity, non-condensing
Environmental Sealing	IP65
Vibration	MIL-STD-810H: 2019, 514.8 Procedure I, Table 514.8C-1 Category 4 common carrier
Drop	MIL-STD-810H: 2019, 516.8 Procedure I Drop height: 122cm Number of Drop: 26 times, for all surfaces, edges and corners Condition: Based on 2" plywood over concrete
Shock	MIL-STD-810H: 2019, 516.8 Procedure I
ESD	Air charge: +/- 8KV, Contact charge: +/- 4KV
Certifications and Standards	CE, FCC
Power Supply	
AC / DC Adapter	AC 100 ~ 240 V, 50 ~ 60 Hz, Output: 19V/ 3.42A/ 65W
Battery Life	Li-ion Battery 6-hour battery life based on test configurations
Master Battery	Hot-swappable battery: 14.4V, 2270mAh, 32.7W 14.8V, 3450mAh, 51.1W (Optional)
Slave Battery	Hot-swappable battery: 14.4V, 2270mAh, 32.7W 14.8V, 3450mAh, 51.1W (Optional)
Display	
LCD	10.1" TFT-LCD Display
Resolution	1920 x 1200
Maximum Color	16.7M
Dot Size	—
Brightness	450 nits (800 nits, Optional)
Viewing Angle	Horizontal: 178° (Typical), Vertical: 178° (Typical)
Touch Screen	
Touch Type	Projected Capacitive Multi-Touch Screen (PCT)
Light Transmission	Min. 87%

Dimension

Unit: mm



Packing List

- **RTC-1020**
 - **125530065A**
AC-To-DC Power Adaptor, 19V, 65W
- *Power cord must be purchased separately.

Optional Accessories

- **RDS-1020-000**
Docking Station, W/O Stand
- **RDS-1020-001**
Docking Station, W/ Stand
- **RBC-1200-000**
4-bay Battery Charger, for 32.7W battery pack
- **RBC-1020-000**
4-bay Battery Charger, for 51.1W battery pack
- **RTC-1010-HS-000**
Hand Strap
- **RTC-1010-SB-000**
Shoulder Belt, 2 Points
- **RTC-1200BAT01-000**
Battery Pack, 14.4V, 2,270mAh, 2 pcs/Box
- **RTC-1020-BAT-000**
Battery Pack, 14.8V, 3,450mAh, 2 pcs/Box
- **RTC-1200-DTDP A-000**
DC-To-DC Power Adaptor, Flying Wires
- **RTC-1200-DTDP A-001**
DC-To-DC Power Adaptor, Cigarette Plug
- **1702031830**
Power Cord for US
- **1702031831**
Power Cord for EU
- **1702031835**
Power Cord for UK
- **1702031810**
Power Cord for Japan

Ordering Information

Part Number	CPU	OS	LCD Display	Touch Screen	System Memory	Storage	Expansion I/O	Sensor	WiFi/Bluetooth	Navigation	LTE Bands (MHz)	Camera	2D Barcode Scanner	NFC	Battery	Power
RTC-1020-RH0001	Intel® Celeron® 6305E	Windows 10 IOT	10.1" 450 nits	PCT 10 points	Onboard LPDDR4X 8GB	M.2 64GB	Micro-HDMI port x 1, SIM card slot x 1 Micro-SD card slot x 1, Audio jack x 1 USB 3.2 Gen 1 x 2 (USB Type-C x 1), USB 2.0 x 2, DC-in jack x 1 RS-232/422/485 COM Port x 1 10/100/1000 Base-T RJ45 x 1	G-sensor E-compass Gyro-sensor Light-sensor	WiFi 802.11 a/b/g/n/ac + BT5.1	GPS / Galileo / GLONASS	—	Front: 5MP Rear: 8MP w/ Flash	—	—	32.7W + 32.7W	DC19V
RTC-1020-RH0001	Intel® Celeron® 6305E	Windows 10 IOT	10.1" 850 nits	PCT 10 points	Onboard LPDDR4X 8GB	M.2 64GB	Micro-HDMI port x 1, SIM card slot x 1 Micro-SD card slot x 1, Audio jack x 1 USB 3.2 Gen 1 x 2 (USB Type-C x 1), USB 2.0 x 2, DC-in jack x 1 RS-232/422/485 COM Port x 1 10/100/1000 Base-T RJ45 x 1	G-sensor E-compass Gyro-sensor Light-sensor	WiFi 802.11 a/b/g/n/ac + BT5.1	GPS / Galileo / GLONASS	—	Front: 5MP Rear: 8MP w/ Flash	—	—	32.7W + 32.7W	DC19V
RTC-1020-RH0002	Intel® Core™ i3-1115G4E	Windows 10 IOT	10.1" 850 nits	PCT 10 points	Onboard LPDDR4X 8GB	M.2 64GB	Micro-HDMI port x 1, SIM card slot x 1 Micro-SD card slot x 1, Audio jack x 1 USB 3.2 Gen 1 x 2 (USB Type-C x 1), USB 2.0 x 2, DC-in jack x 1 RS-232/422/485 COM Port x 1 10/100/1000 Base-T RJ45 x 1	G-sensor E-compass Gyro-sensor Light-sensor	WiFi 802.11 a/b/g/n/ac + BT5.1	GPS / Galileo / GLONASS	—	Front: 5MP Rear: 8MP w/ Flash	—	Yes	32.7W + 32.7W	DC19V
RTC-1020-RH0003	Intel® Core™ i3-1115G4E	Windows 10 IOT	10.1" 850 nits	PCT 10 points	Onboard LPDDR4X 8GB	M.2 64GB	Micro-HDMI port x 1, SIM card slot x 1 Micro-SD card slot x 1, Audio jack x 1 USB 3.2 Gen 1 x 2 (USB Type-C x 1), USB 2.0 x 2, DC-in jack x 1 RS-232/422/485 COM Port x 1 10/100/1000 Base-T RJ45 x 1	G-sensor E-compass Gyro-sensor Light-sensor	WiFi 802.11 a/b/g/n/ac + BT5.1	GPS / Galileo / GLONASS	—	Front: 5MP Rear: 8MP w/ Flash	Yes	Yes	32.7W + 32.7W	DC19V
RTC-1020-RH0004	Intel® Core™ i5-1145G7E	Windows 10 IOT	10.1" 850 nits	PCT 10 points	Onboard LPDDR4X 8GB	M.2 64GB	Micro-HDMI port x 1, SIM card slot x 1 Micro-SD card slot x 1, Audio jack x 1 USB 3.2 Gen 1 x 2 (USB Type-C x 1), USB 2.0 x 2, DC-in jack x 1 RS-232/422/485 COM Port x 1 10/100/1000 Base-T RJ45 x 1	G-sensor E-compass Gyro-sensor Light-sensor	WiFi 802.11 a/b/g/n/ac + BT5.1	GPS / Galileo / GLONASS	—	Front: 5MP Rear: 8MP w/ Flash	—	Yes	32.7W + 32.7W	DC19V

Note: All specifications are subject to change without notice.