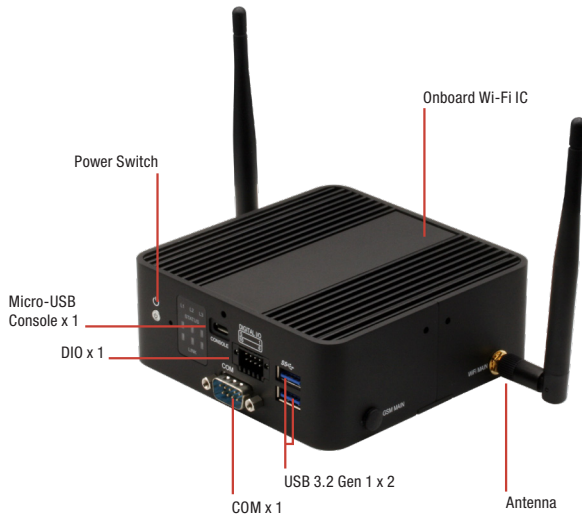


FWS-2275

Desktop 3 LAN Ports Network Appliance with Intel® Celeron® Processor N3350

Front View



Rear View



Features

- Desktop Network Appliance
- Intel® Celeron® Processor N3350 SoC
- Onboard eMMC 16GB (Optional up to 32GB)
- Onboard LPDDR4, 2GB
- Intel® i211 GbE x 3
- 1 x Mini-Card Full Size Slot with SIM Socket
- Onboard WiFi 802.11 b/g/n 2x2, BT4.1
- HDMI Connector (Optional)
- TPM Supported (Optional)



Internal/ Expansion Interface

PCIe Slot	—
Mini-PCIe Slot	Mini-Card Full Size Slot with SIM Socket x 1 (USB 2.0; PCIe co-lay with LAN 3)
Keyboard and Mouse	—
USB	USB 3.2 Gen 1 x 2
Miscellaneous	
RTC	Internal RTC
Watchdog Timer	1~255 steps by software programmable
Software Button	GPIO Programmable push button x 1
TPM	(TPM2.0 9665 Optional)
GPIO	4 bits input, 4bits output
Fan	—
MTBF (Hours)	550,521 Hours
Color	Black

Environmental Parameters and Dimension

Power Requirement	9~24 V DC Power
Operating Temperature	32°F ~ 122°F (0°C ~ 50°C)
Storage Temperature	-4°F ~ 140°F (-20°C ~ 60°C)
Operating Humidity	10%~80% relative humidity, non-condensing
Storage Humidity	10%~80% @40°C; non-condensing
Vibration	0.5 Grms/ 5 ~ 500Hz / operation 1.5 Grms/ 5 ~ 500Hz / non operation
Shock	10 G peak acceleration (11 m sec. duration), operation 20 G peak acceleration (11 m sec. duration), non operation
Dimension (W X D X H)	4.53" x 4.53" x 1.73" (115mm x 115mm x 44mm)

I/O

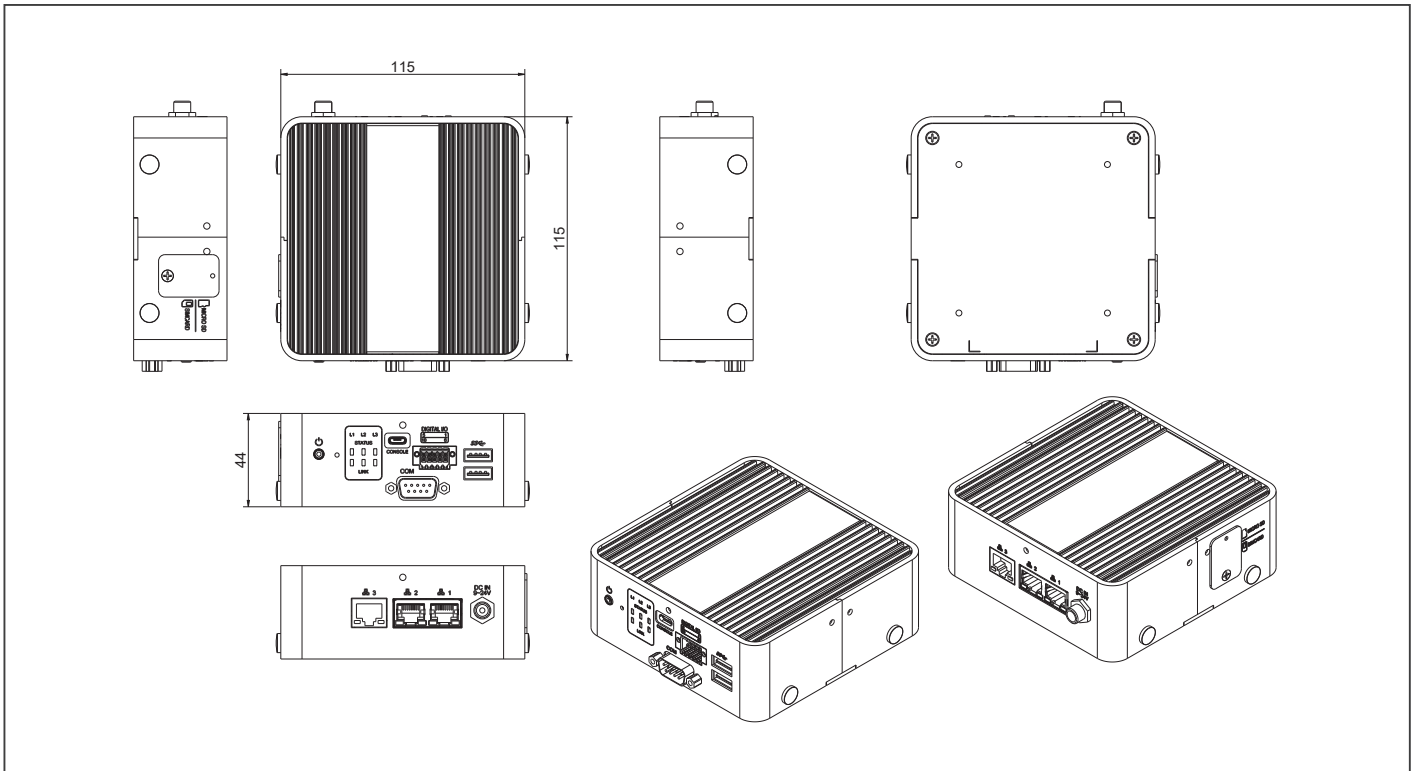
Front Panel	USB 3.2 Gen 1 Ports x 2 LED's (3 x TOP Row, 2 x Bottom Row)x 6 Power Button with LED integrated x 1 Micro-USB Console Port x 1 RS-232/422/485 x 1 GPIO 8 bits, 4-bits input, 4-bits output Reset button x 1
Rear Panel	1GbE RJ45 Ports x 3 Power Input connector, lockable x 1
Left I/O	SIM Slot x 1 + Micro-SD Slot with Cover x 1 WiFi Antenna Connector x 1 LTE Antenna Connector
Right I/O	WiFi Antenna Connector x 1 LTE Antenna Connector

Specifications

System	
Form Factor	Desktop Network Appliance
Processor	Intel® Celeron® Processor N3350 SoC
Chipset	SoC
System Memory	Onboard LPDDR4, 2GB
Network	
Ethernet	Intel® i211 GbE x 3
Bypass	—
Display	
Graphic Controller	Intel® HD graphics integrated
Connector	(HDMI Connector x1 Optional)
Storage	
HDD	—
CF/CFast/mSATA	Onboard eMMC 16GB (Optional up to 32GB) SATA III Port x 1 for SATA DOM Micro SD card Reader x1

Dimension

Unit: mm



Ordering Information

Part Number	CPU	Memory	Mini-Card Slot	Storage	Display	LAN	USB	Console	Bypass	TPM	Fan	Mounting	Power	Note
FWS-2275E3-A10-00	Intel® Celeron® N3350	Onboard LPDDR4 2GB memory	Mini-Card Full Size Slot with SIM Socket x 1 (USB 2.0)	16GB eMMC SATA III Port x 1 for SATA DOM Micro SD card Reader x 1	—	Intel® i211 x 3	USB 3.2 Gen 1 x 2	Micro USB console x 1	—	—	—	Desktop	DC 12V,40W Power Adapter x 1	* Please contact AAEON for other optional specifications.

Packing List

- Antenna x 2
- Power Adapter x 1
- VESA mount x 1
- FWS-2275

Optional Accessories

- **1702031802**
Power Cord, 3P-250V/10A, 180D, 1.8M, USA, YP22/YP12
- **1702031803**
Power Cord, 3P-250V/10A, 180D, 1.8M, VDE, YP22/YP12
- **170203180B**
Power Cord, 3P-250V/10A, 180D, 1.8M, China, YP-03/YC-12
- **170203180E**
Power Cord, 3P-250V/10A, 180D, 1.8M, PSE, YP12/YC-12