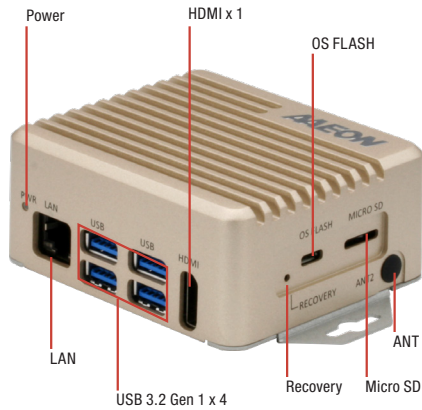


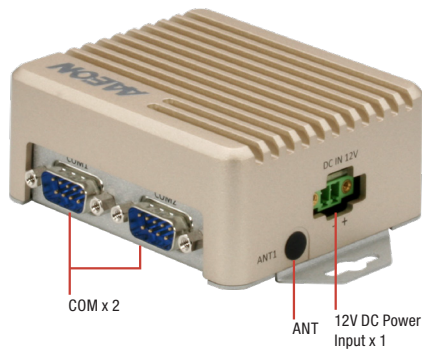
# BOXER-8231AI

AI@Edge Compact Fanless Embedded BOX PC with NVIDIA Jetson TX2 NX

Front View



Rear View



## Features

- NVIDIA® Jetson™ TX2 NX
- 4GB LPDDR4 + 16GB eMMC
- USB3.2 Gen 1 x 4
- LAN x 1 + RS-232 x 2
- 12Vdc Power input

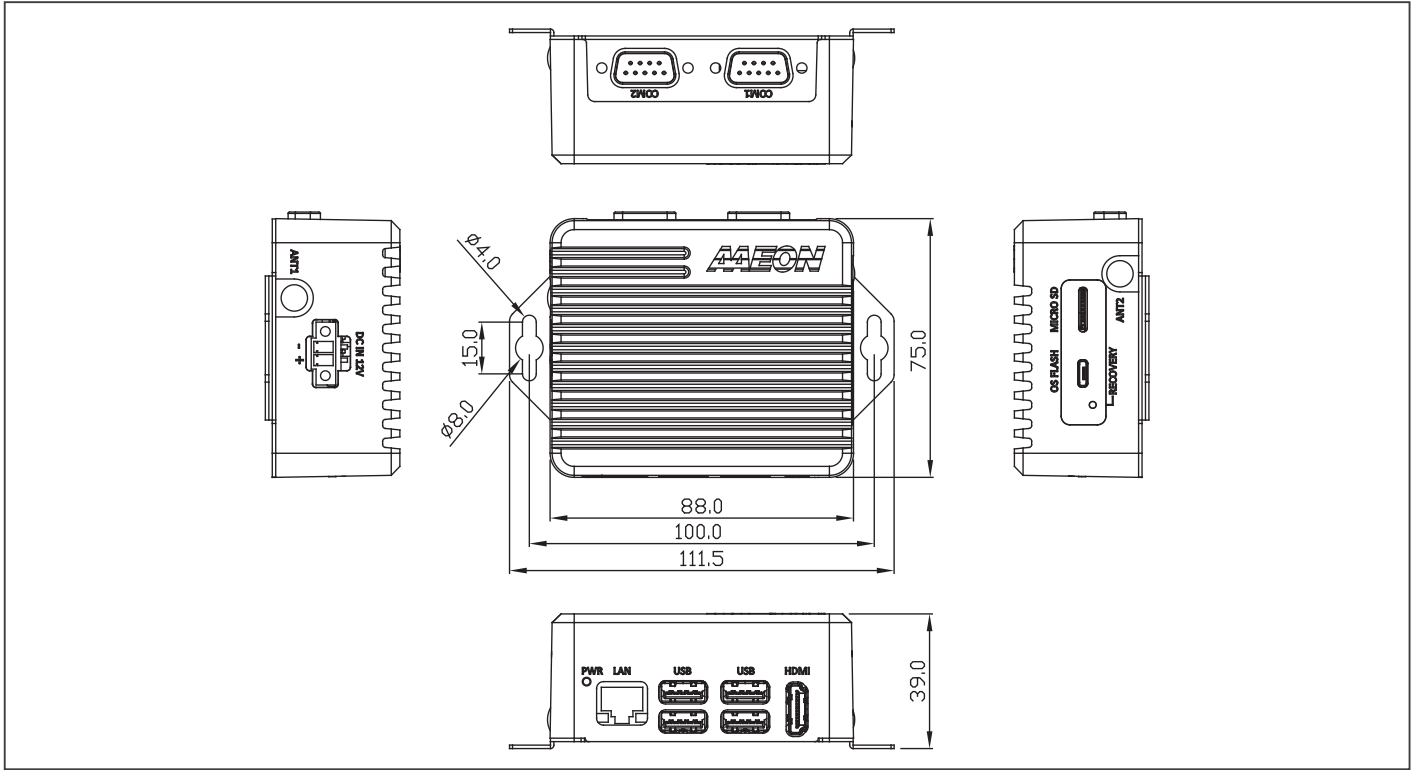


## Specifications

System	
AI Accelerator	NVIDIA® Jetson™ TX2 NX
CPU	4 Core ARM A57 Complex and 2 core NVIDIA Denver2 64-bit CPU
System Memory	4GB LPDDR4
Storage Device	16GB eMMC + MicroSD
Display Interface	HDMI 2.0
Ethernet	10/100/1000Base-TX x 1
I/O	USB 3.2 Gen 1 x 4 LAN x 1 RS-232 x 2 HDMI x 1 MicroSD x 1 DC Power Input x 1 Recovery Button x 1 Micro-USB for Flash OS x 1
Expansion	M.2 E-Key 2230 x 1(for WiFi)
Indicator	Power LED x 1
OS Support	Linux (AAEON ACLinux 4.9) Linux (NVIDIA Jetpack 4.5 and above)
Power Supply	
Power Requirement	12Vdc w/ 2-pin terminal block
Mechanical	
Mounting	Wallmount
Dimensions (W x D x H)	3.46" x 2.95" x 1.53" (88mm x 75mm x 39mm)
Gross Weight	1.10 lb (0.5 kg)
Net Weight	0.66 lb (0.3 kg)
Environmental	
Operating Temperature	-25°C ~ 45°C, according to IEC60068-2 with 0.5 m/s AirFlow
Storage Temperature	-40°F ~ 176°F (-40°C ~ 80°C)
Storage Humidity	95% @ 40°C, non-condensing
Anti-Vibration	3.5 Grms/5 ~ 500Hz/ operation – eMMC
Anti-Shock	50G peak acceleration (11 msec. duration) – eMMC
Certification	CE/FCC class A

## Dimension

Unit: mm



## Ordering Information

Part Number	CPU Module	RAM	LAN	USB 3	USB 2	RS-232	RS-232/422/485	Digital I/O	Audio	Storage	Display	Expansion	Mounting	Power	Operation temp.
BOXER-8231AI-A3-1010	Jetson TX2 NX	4 GB 128-bit LPDDR4	1	4	—	2	—	—	—	16GB eMMC + MicroSD	HDMI x 1	M.2 E-Key 2230 x 1 (for WiFi)	Wallmount	12V	-25°C ~ 45°C
BOXER-8231AI-JP46E-A1-1010	Jetson TX2 NX	4 GB 128-bit LPDDR4	1	4	—	2	—	—	—	16GB eMMC + MicroSD	HDMI x 1	M.2 E-Key 2230 x 1 (for WiFi)	Wallmount	12V	-25°C ~ 45°C

## Packing List

- Power Connector x 1
- BOXER-8231AI

## Optional Accessories

- **1255300611**  
60W Power Adapter
- **1702031802**  
Power Cord (US type)
- **1702031803**  
Power Cord (European Type)
- **170203180E**  
Power Cord (Japanese Type)