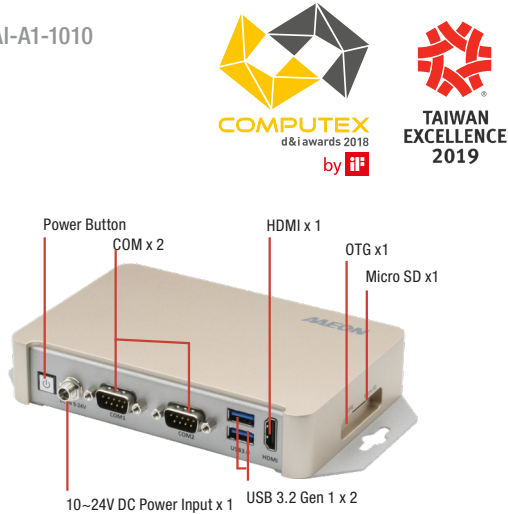


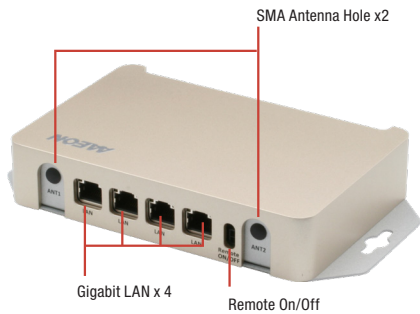
BOXER-8120AI

AI@Edge Fanless Embedded Box PC with NVIDIA Jetson TX2, 4 GbE LAN Ports

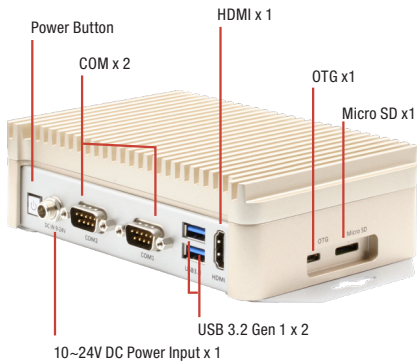
BOXER-8120AI-A1-1010
Front View



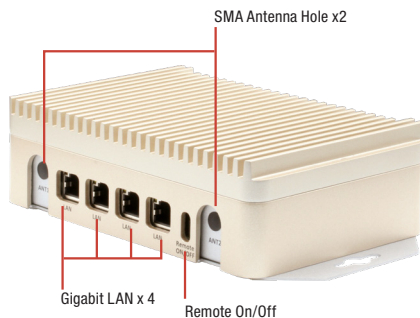
Rear View



BOXER-8120AI-A1-CS-N0001
Front View



Rear View



Features

- Nvidia Jetson TX2
- HMP Dual Denver 2 + Quad ARM A57
- Support AAEON ACLinux 4.9, Compliance with Ubuntu 18.04
- 8GB LPDDR4, 32GB eMMC 5.1
- RS-232 x 2, USB 3.2 Gen 1 x 2, OTG x 1
- HDMI 2.0 x 1, LAN x 4 (Intel i211*3, Native*1)
- Micro-SD x 1, Remote On/Off
- Power input: 10~24V

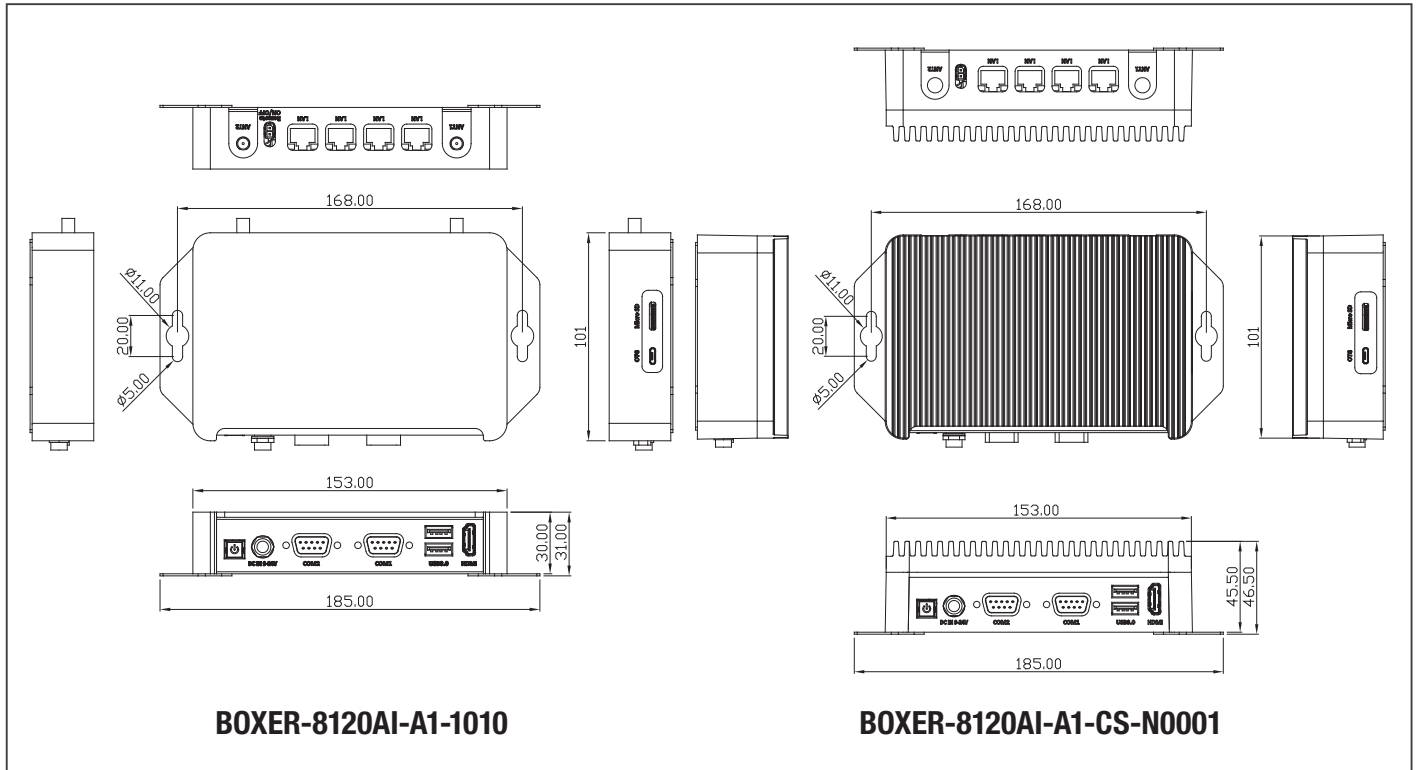


Specifications

System	
AI Accelerator	Nvidia Jetson TX2
CPU	HMP Dual Denver 2 + Quad ARM A57
System Memory	8GB LPDDR4
Storage Device	32GB eMMC 5.1 MicroSD x 1
Display Interface	HDMI 2.0
Ethernet	10/100/1000Base-TX x 4
I/O	USB 3.2 Gen 1 x 2 HDMI x 1 LAN x 4 COM x 2 OTG x 1 Power Button x 1 SMA Antenna Holes x 2 10~24V DC-In Power input x 1 Remote Power On/Off x 1
Expansion	MicroSD x 1 SATA x 1 (optional) USB 2.0 x 3 (optional)
Indicator	Power LED
OS Support	AAEON ACLinux 4.9, Compliance with Ubuntu 18.04
Power Supply	
Power Requirement	10~24V DC-In with DC Jack
Mechanical	
Mounting	Wallmount
Dimensions (W x H x D)	6.02" x 1.18" x 3.98" (153mm x 30mm x 101mm) 6.02" x 1.79" x 3.98" (153mm x 45.5mm x 101mm) for CS-N0001
Gross Weight	4.40 lb (2 Kg) 5.51 lb (2.5 Kg) for CS-N0001
Net Weight	2.20 lb (1 Kg) 3.31 lb (1.5 Kg) for CS-N0001
Environmental	
Operating Temperature	-4°F ~ 122°F (-20°C ~ 50°C, according to IEC682-14 with 0.5 m/s AirFlow; with industrial Devices) for BOXER-8120AI-A1-1010 -4°F ~ 131°F (-20°C ~ 55°C, according to IEC682-14 with 0.5 m/s AirFlow; with industrial Devices) for BOXER-8120AI-A1-CS-N0001
Storage Temperature	-13°F ~ 176°F (-25°C ~ 80°C)
Storage Humidity	95% @ 40°C, non-condensing
Anti-Vibration	Random, 5 Grms/5 ~ 500Hz/ operation
Anti-Shock	—
Certification	CE/FCC class A

Dimension

Unit: mm



Ordering Information

Part Number	CPU	PCH	RAM	LAN	USB 3.2 Gen 1	USB 2.0	RS-232	RS-232/422/485	Digital I/O	Audio	Storage	Display	Expansion	Mounting	Power	Operation temp.
BOXER-8120AI-A1-1010	HMP Dual Denver 2 + Quad ARM A57	—	8	4	2	—	2	—	—	—	32G eMMC	HDMI x 1	MicroSD x1 SATA x1 (option) USB 2.0 x 3 (option)	Wallmount	10 ~ 24V	-20°C ~ 50°C
BOXER-8120AI-A1-CS-N0001	HMP Dual Denver 2 + Quad ARM A57	—	8	4	2	—	2	—	—	—	32G eMMC	HDMI x 1	MicroSD x1 SATA x1 (option) USB 2.0 x 3 (option)	Wallmount	10 ~ 24V	-20°C ~ 55°C

Packing List

- Wallmount Bracket x 1
- Screw Package x 1
- BOXER-8120AI

Optional Accessories

- 125530060Z
Power Adapter
- 170203180Z
Power Cord (US Type)
- 1702031803
Power Cord (Europe)
- 170203180E
Power Cord (Japan)