

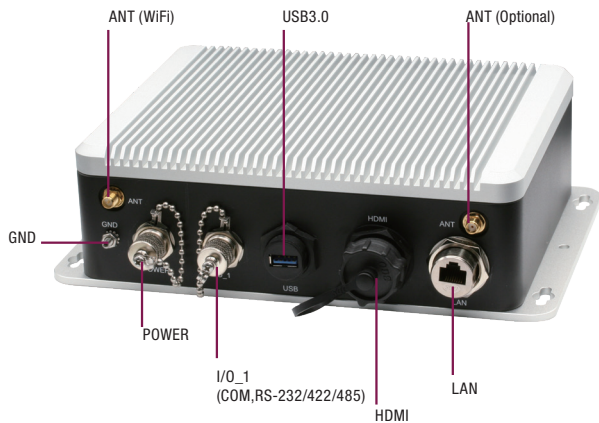
# AIOT-IP6801

IP68 Gateway System

Front View



Rear View



## Features

- IP68 Compliance Gateway System
- Intel® Atom™ E3940 Processor/Celeron® N3350 Processor
- Onboard 4GB LPDDR4 Memory
- Onboard 32 GB eMMC
- Gigabit LAN x 1, HDMI x 1
- USB3.0 x 1, RS-232 x 2
- Wi-Fi/Bluetooth Function
- Optional LORA Function, 3G, 4G LTE

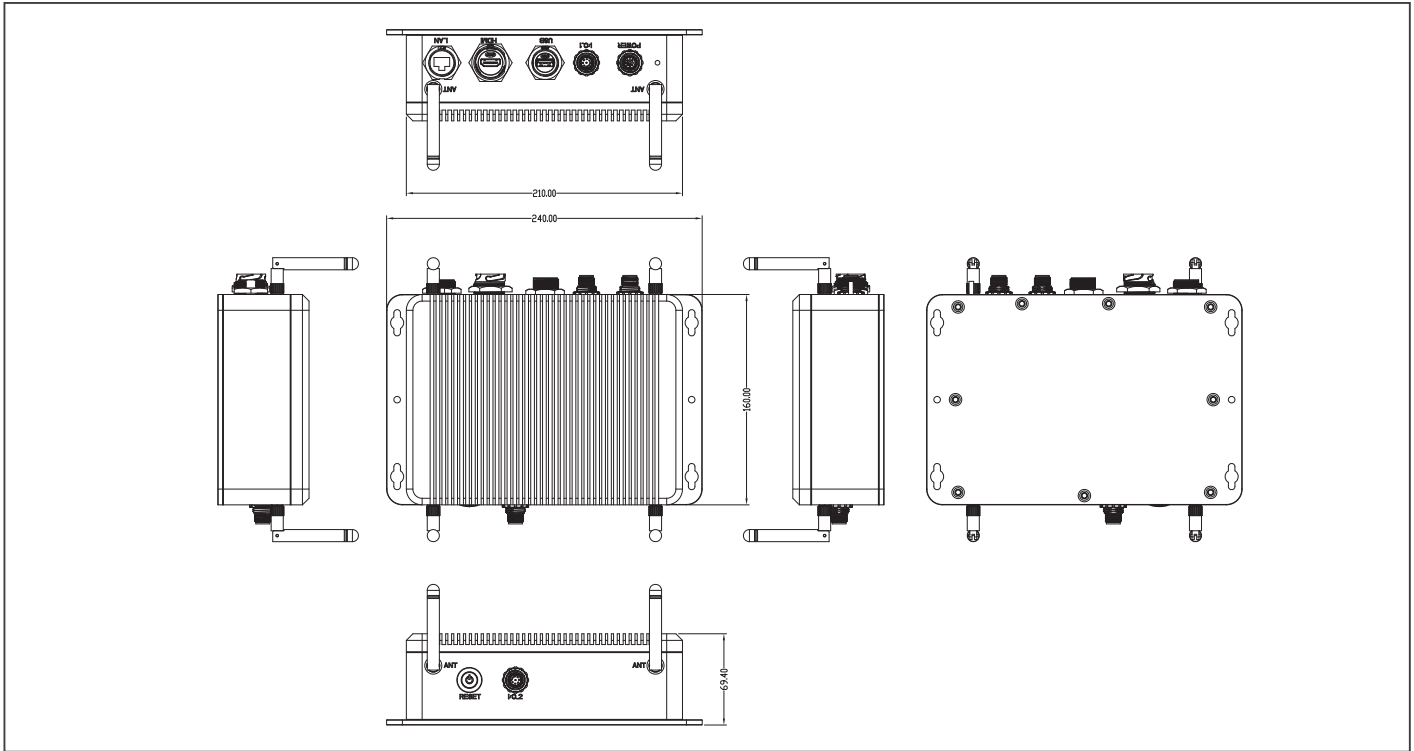


## Specifications

System	
CPU	Intel® Atom™ E3940 Processor Intel® Celeron® N3350 Processor
Chipset	Intel® System on Chip
Memory	Onboard 4GB/ 2GB LPDDR4 memory
Storage	32GB eMMC onboard
Display	HDMI
Ethernet	Standard: Realtek® 8111G x 1 Wide temperature: Intel® i211 x 1
USB	USB 3.0 x 1
COM	RS-232/422/485 x 2
Digital I/O	—
Expansion Slot	Mini PCIe card x 1 SIM card x 1
Indicator	—
Wi-Fi	801.11ac
Bluetooth	BT4.0
Lora	868/915 MHz (Optional)
POE	IEEE802.3 AT Standard, Max 25W Power Supply
OS Support	Windows® 10 (full), Windows® IOT Core, Linux ubiinux, Ubuntu, Yocto
I/O Placements	
Front I/O	M12 Connector x 1 (RS-232) Reset button x 1 GND Screw x 1 Antenna connector x 1 Antenna x 1
Rear I/O	RJ45 Connector x 1 HDMI Connector x 1 USB 3.0 Connector x 1 M12 Connector x 1 (RS-232) Antenna connector x 1 Antenna x 1
Right Side I/O	—
Left Side I/O	—
Power	
Power Requirement	5V DC in
Mechanical	
IP	IP68
Dimension	9.43" x 6.28" x 2.73" (239.4 mm x 159.4 mm x 69.4 mm)
Mounting	Wallmount
Gross Weight	7.8 lb (3.5 kg)
Net Weight	5.6 lb (2.5 kg)
Environment	
Operating Temperature	-4°F ~ 158°F (-20°C ~ 70°C) (E3940) 32°F ~ 122°F (0°C ~ 50°C) (N3350)
Storage Temperature	-4°F ~ 158°F (-20°C ~ 70°C)
Storage Humidity	5~95% @ 40°C, non-condensing
Anti-Vibration	3 Grms /5 ~500Hz/Operation
Certification	CE, FCC Class A

## Dimension

Unit: mm



## Ordering Information

Part Number	CPU	RAM	Storage	LAN	USB	COM	Digital I/O	Display	WiFi/BT	LoRa	Mounting	PoE	Power	Operation Temp.
AIOT-IP6801-A11-AP40432W	Intel® Atom™ E3940 Processor	4GB	32GB	1	3.0 x 1	RS-232 x 2	—	HDMI x 1	Wi-Fi 801.11ac+BT4.0	—	Wallmount	—	5V DC In	-4°F ~ 158°F(-20°C ~ 70°C)
AIOT-IP6801-A12-AP40432W	Intel® Atom™ E3940 Processor	4GB	32GB	1	3.0 x 1	RS-422 x 2	—	HDMI x 1	Wi-Fi 801.11ac+BT4.0	—	Wallmount	—	5V DC In	-4°F ~ 158°F(-20°C ~ 70°C)
AIOT-IP6801-A13-AP40432W	Intel® Atom™ E3940 Processor	4GB	32GB	1	3.0 x 1	RS-485 x 2	—	HDMI x 1	Wi-Fi 801.11ac+BT4.0	—	Wallmount	—	5V DC In	-4°F ~ 158°F(-20°C ~ 70°C)

## Packing List

- Antenna x 2
- AIOT-IP6801

## Optional Accessories

- **1255300362**  
5V/6A Power Adapter
- **1702020910**  
Power cord for EU
- **1702020911**  
Power cord for US
- **1702020912**  
Power cord for Japan
- **1702020913**  
Power cord for China
- **170204100E**  
Waterproof Power Cable, M12 to DC PLUG, 100cm
- **1700091002**  
Waterproof COM Cable, D-SUB to M12, 100cm
- **1709081000**  
Waterproof RJ45 Cable, 100cm
- **1709191000**  
Waterproof HDMI Cable, Male to Male, 100cm