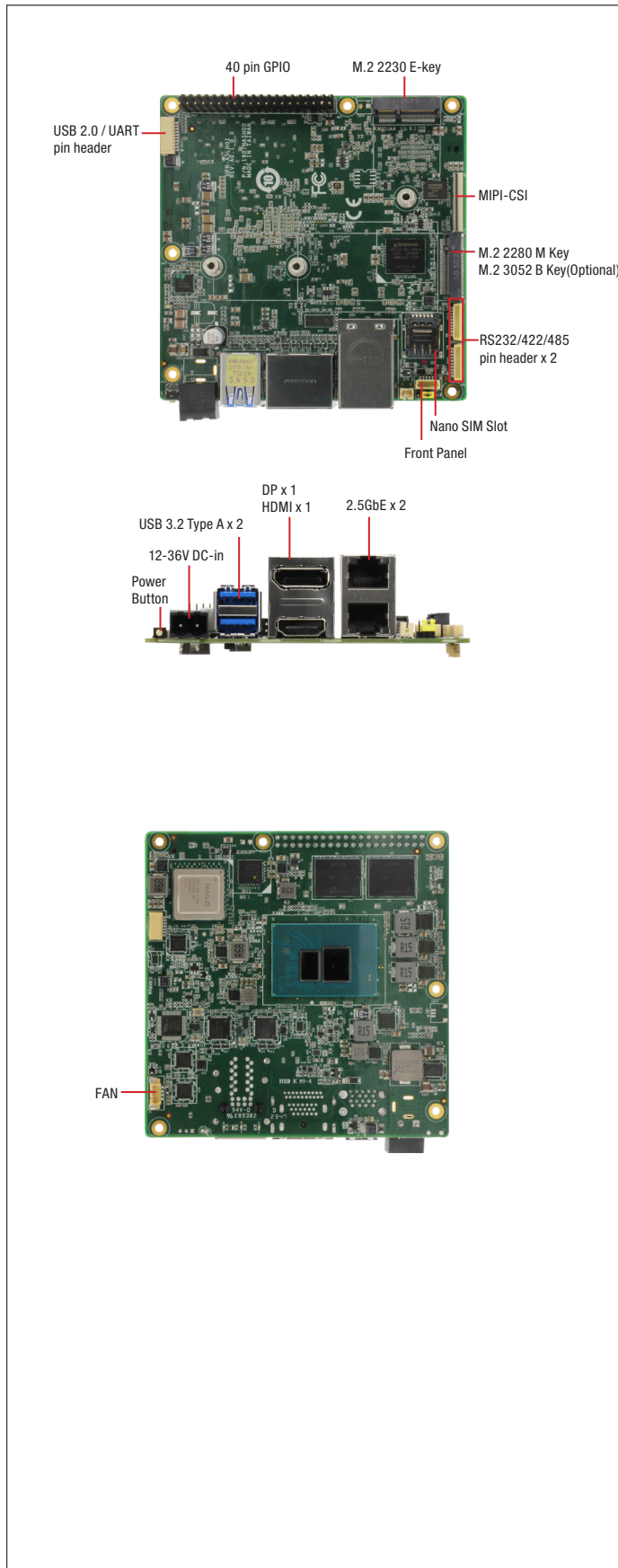


# UP Squared Pro 710H



UP Squared Pro 710H Developer Board with Intel Atom® x7000RE Series, Intel® Processor N Series, and Intel® Core™ i3-N305 Processors



## Features

- Intel Atom® x7000RE Series, Intel® Processor N-series, and Intel® Core™ i3-N305 Processors
- Onboard Hailo-8™ edge AI processor
- Onboard LPDDR5 Memory, up to 16GB
- Onboard eMMC Storage, up to 128GB
- 2.5GbE x 2 (Intel® Ethernet Controller I226-IT)
- USB 3.2 (Type-A) x 2
- 40-pin GPIO x 1
- DP 1.4 x 1/HDMI 2.0b x 1
- RS-232/422/485 x 2 via pin header
- M.2 2230 E-Key/M.2 2280 M-Key (Optional: M.2 3052 B-Key x 1)
- Onboard TPM 2.0
- 12V ~ 36V DC-in with Phoenix Connector

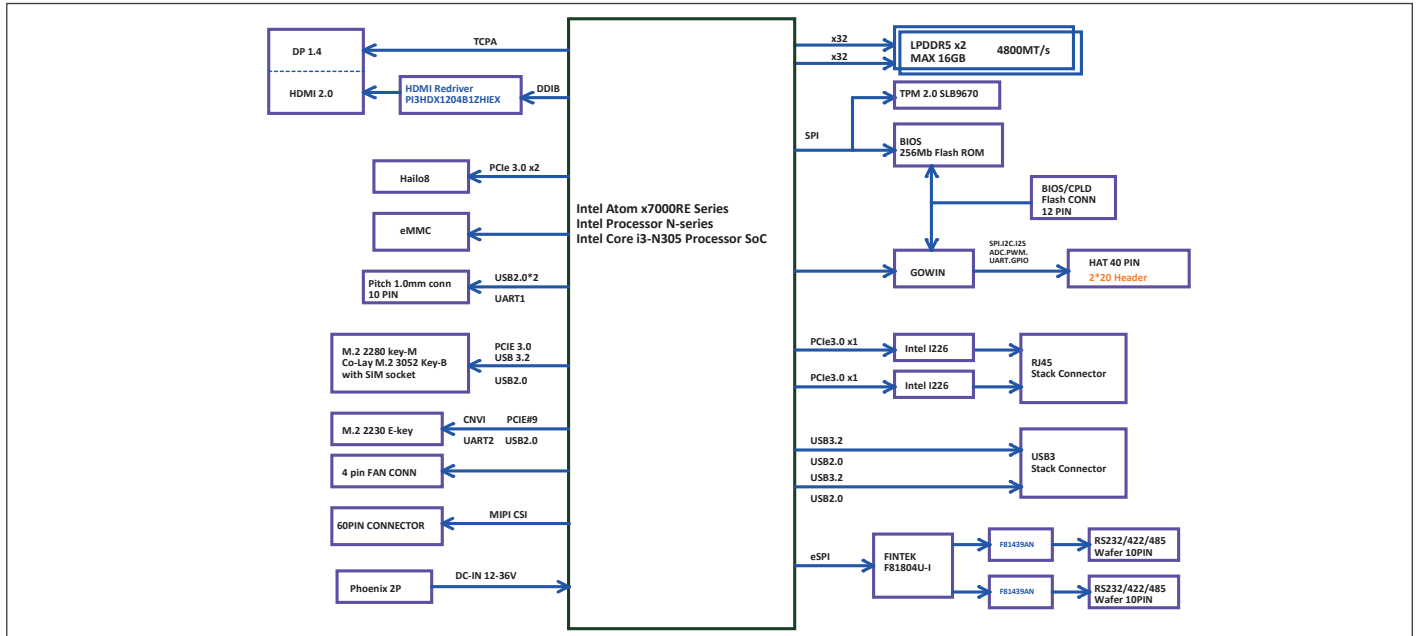


## Specifications

System	
Processor	Intel® Core™ i3-N305 (8C, 1.80 GHz, 15W) Intel® Processor N97 (4C, 2.00 GHz, 12W) Onboard Hailo-8™ edge AI processor
Graphics	Intel® UHD Graphics for 12th Gen Intel® Processors
Memory	Up to 16GB onboard LPDDR5
Storage	Up to 128GB onboard eMMC
I/O	HDMI 2.0b x 1 DP 1.4 x 1 RS-232/422/485 from 10 pin header x 2
Camera	MIPI-CSI via 61-Pin FPC Connector x 1
USB	USB 2.0 x 2 (from 10 pin header x 1) USB 3.2 Gen 2 (Type-A) x 2
Expansion	40-pin GPIO x 1 M.2 2230 E-Key x 1 (CNVI, PCIe Gen 3 [x1], USB 2.0) M.2 2280 M-Key x 1 (PCIe Gen 3 [x2], colay with M.2 3052 B-Key x 1) M.2 3052 B-Key x 1 (USB 3.2 Gen 2 only) (Optional)
Display Interface	HDMI 2.0b x 1 DP 1.4 x 1
Ethernet	2.5GbE x 2 (Intel® Ethernet Controller I226-IT)
Security	Onboard TPM 2.0
RTC	Yes
OS Support	Windows 10 IoT Enterprise Ubuntu 22.04 LTS Yocto 4.0
Power Requirement	
Power	12V-36V DC-in Phoenix connector (Optional: Lockable plug)
Power Supply Type	AT/ATX
Power Consumption (Typical)	50W~55W
Mechanical	
Dimension	4" x 4" (101.6mm x 101.6mm)
Net Weight	0.44 lbs (0.20kg)
Gross Weight	0.77 lbs (0.35kg)
Environment	
Operating Temperature	32°F ~ 140°F (0°C ~ 60°C), 0.5m/s airflow
Operation Humidity	0% ~ 90% relative humidity, non-condensing
MTBF	422,053 Hours
Certification	CE/FCC Class A, RoHS Compliant, REACH

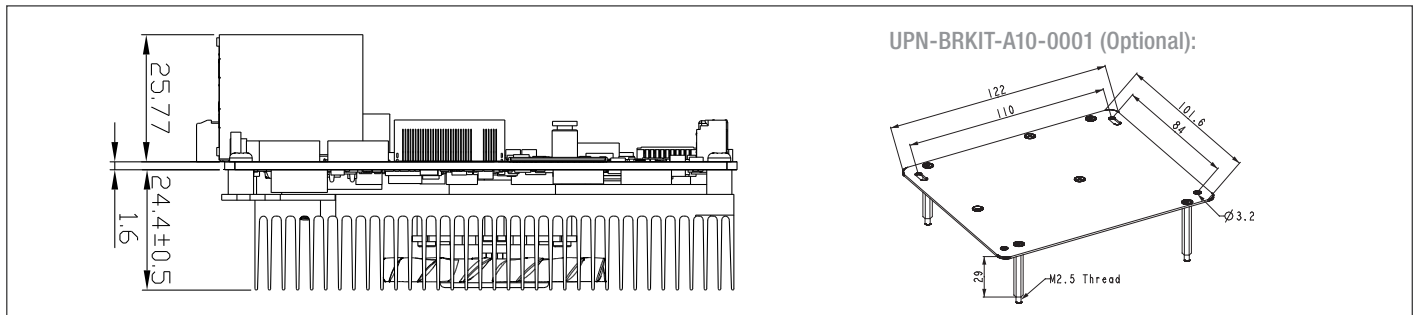


## Block Diagram



## Dimension

Unit: mm



## Packing List

- UP Squared Pro 710H x 1
- DC in Phoenix Connector x 1

## Optional Accessories

Part Number	Description
1255X00091	(TF)AC/DC Adapter.Input AC:100~240V.Output DC:12V.MAX 72W.6.0A.Wire Stripping and Tinning. EDAC.EA10681U(T19)
170203180J	Power Cord for UK
170X000799	Power Cord for USA
170X000800	Power Cord for EU
170X000815	Power Cord for China
170X000806	Power Cord for Taiwan
170X000803	Power Cord for Japan
170X000810	Power Cord for South Korea
170X000805	Power Cord for Switzerland
1701100180	COM Cable

## Ordering Information

Part Number	CPU	Core	Memory	Storage	Heatsink	VPU	Operating Temperature
UPN-ASLHN97-A10-0864	Intel® Processor N97	4 Core	8GB	64GB	Active cooler	Onboard Halo-8™ edge AI processor	32°F ~ 140°F (0°C ~ 60°C) / 0.5 airflow
UPN-ASLHI3-A10-16128	Intel® Core™ i3-N305	8 Core	16GB	128GB	Active cooler	Onboard Halo-8™ edge AI processor	32°F ~ 140°F (0°C ~ 60°C) / 0.5 airflow