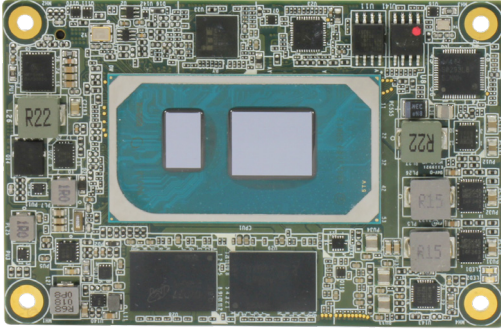


# NanoCOM-TGU

COM Express Type 10 with 11th Generation Intel® Core™ Processor



## Features

- 11th Generation IntelCore™ Processor
- Onboard Memory LPDDR4x, up to 16GB
- Intel i225LM 2.5GbE x 1
- eDP x 1, DDI x 1
- SATA3 x 2 , onboard PCIe SSD x 1
- USB 2.0 x 8, USB 3.2 10Gbps x 2
- PCIe [x1] x 4
- COM Express Type 10, Mini Size, 84 mm x 55 mm



## Specifications

System	
Form Factor	COM Express Mini size, Type 10
CPU	11th Generation IntelCore™ Processor
CPU Frequency	Up to i7-1185G7E, 1.8GHz
Chipset	11th Generation Intel® Core™ SoC
Memory Type	Onboard LPDDR4x
Max. Memory Capacity	16 GB
BIOS	AMI UEFI
Wake on LAN	Yes
Watchdog Timer	255 Levels
Power Requirement	+12 V and +5 VSB for ATX, +12V for AT
Power Supply Type	AT/ATX
Power Consumption (Typical)	2.75A@12V, full load, i7-1185GRE
Dimension (L x W)	3.31" x 2.17" (84mm x 55mm)
Operating Temperature	32°F ~ 140°F (0°C ~ 60°C) -40°F ~ 185°F (-40°C ~ 85°C) Option
Storage Temperature	-40°F ~ 185°F (-40°C ~ 85°C)
Operating Humidity	0% ~ 90% relative humidity, non-condensing
Certification	CE/FCC
Display	
Graphic Controller	—
Video Output	Dual Display: eDP, DDI x 1
I/O	
Ethernet	Intel i225LM 2.5GbE x 1
Audio	High Definition Audio Interface
USB Port	USB 2.0 x 8, USB 3.2 10Gbps x 2
Serial Port	2-Wire UART (Tx/Rx) x 2
HDD Interface	SATA 3 x 2
Expansion Slot	PCIe [x1] x 4 LPC x 1 SMBus x 1 I2C x 1
GPIO	8-bit
Onboard Storage	NVMe, up to 256GB
TPM	fTPM

## Packing List

- NanoCOM-TGU

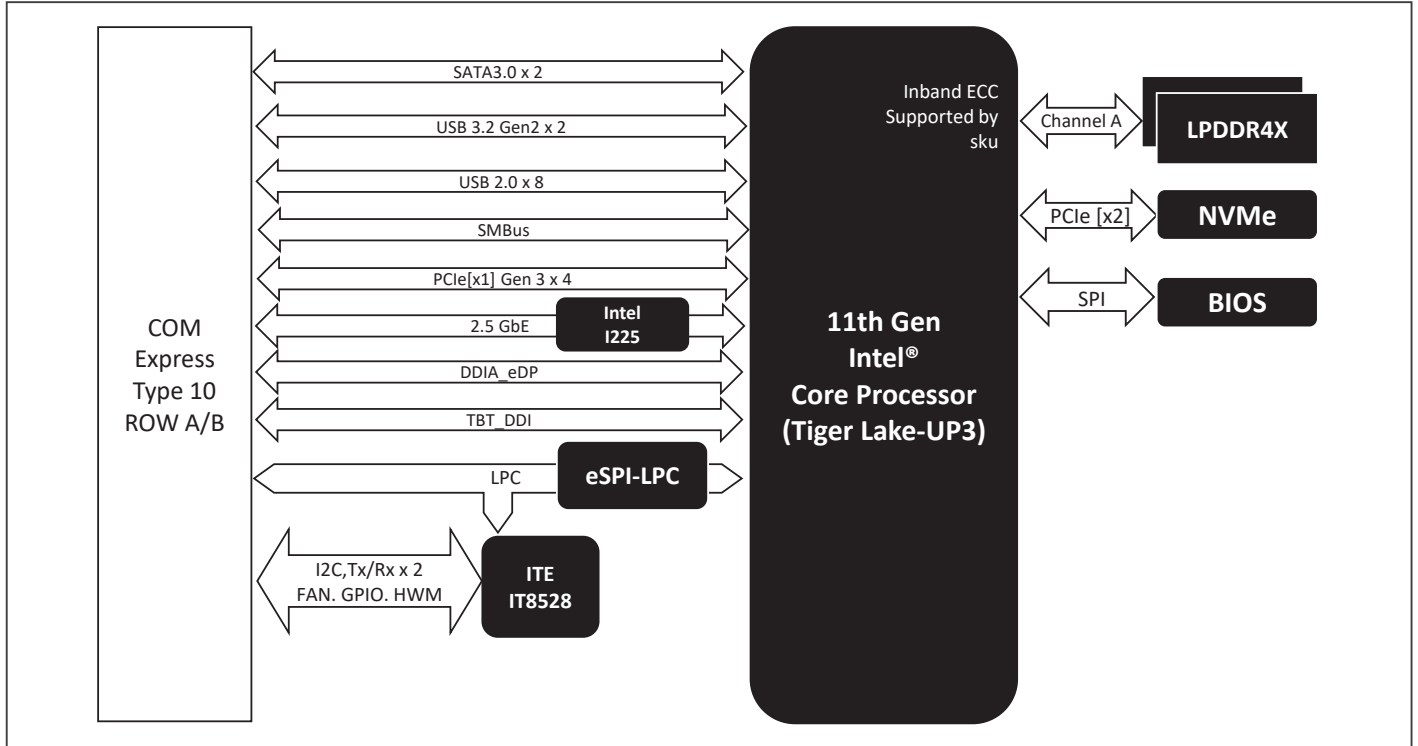
## Optional Accessories

- **NanoCOM-TGU-FAN01**  
CPU cooler.84\*55\*18 mm.Black.NanoCOM-TGU
- **NanoCOM-TGU-HSP01**  
Heat Spreader.84x55x11mm.Black.for NanoCOM-TGU
- **ECB-920A-A11-0001**  
COMe Type 6/10.Carrier Board.ATX.2.5GbE.8USB, 2COM.4SATA.PCIe.AT/ATX.Rev. A1.1

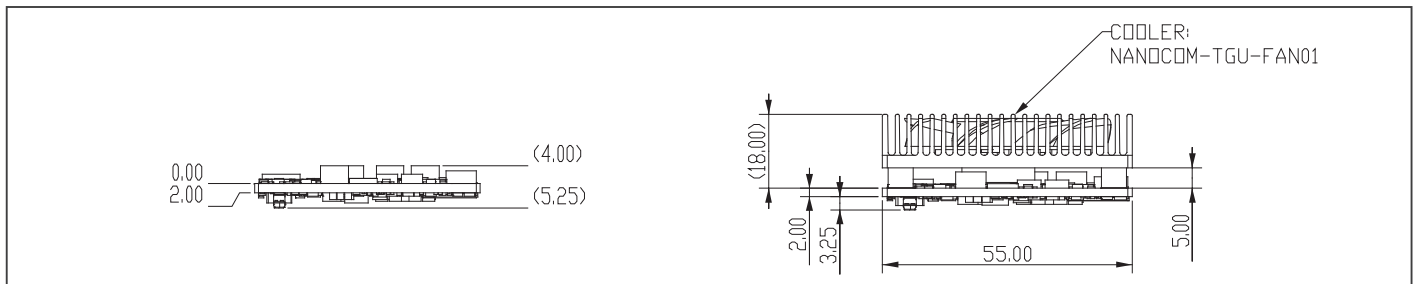
## CPU Support Chart

CPU	Core / Thread	Base Frequency / Turbo	TDP	In-band ECC	Operating Temp.
i7-1185G7E	4/8	1.8 GHz / 4.4 GHz	15W (Up to 28W)	No	Commercial Temp.
i5-1145G7E	4/8	1.5 GHz / 4.1 GHz		No	Commercial Temp.
i3-1115G4E	2/4	2.2 GHz / 3.9 GHz		No	Commercial Temp.
i7-1185GRE	4/8	1.8 GHz / 4.4 GHz		Yes	Embedded/Industrial Extended Temp.
i5-1145GRE	4/8	1.5 GHz / 4.1 GHz		Yes	Embedded/Industrial Extended Temp.
i3-1115GRE	2/4	2.2 GHz / 3.9 GHz		Yes	Embedded/Industrial Extended Temp.
Celeron 6305E	2/2	1.8 GHz / ---	15W	No	Commercial Temp.

## Block Diagram Unit: mm



## Dimension Unit: mm



## Ordering Information

Part number	CPU	Memory	Display	LVDS	Storage	LAN	USB	UART	Expansion	Power	Temperature	Others
NANOCOM-TGU-A10-0001	i7-1187G7E	16GB	eDP x 1, DDI x 1	—	SATA3 x 2, 64GB NVMe	2.5GbE x 1	USB 3.2 10Gbps x 2 USB 2.0 x 8	2 (Tx/Rx)	PCIe [x1] x 4	12V	0°C - 60°C	—
NANOCOM-TGU-A10-0002	i5-1145G7E	16GB	eDP x 1, DDI x 1	—	SATA3 x 2, 64GB NVMe	2.5GbE x 1	USB 3.2 10Gbps x 2 USB 2.0 x 8	2 (Tx/Rx)	PCIe [x1] x 4	12V	0°C - 60°C	—
NANOCOM-TGU-A10-0003	i3-1115G4E	8GB	eDP x 1, DDI x 1	—	SATA3 x 2, 64GB NVMe	2.5GbE x 1	USB 3.2 10Gbps x 2 USB 2.0 x 8	2 (Tx/Rx)	PCIe [x1] x 4	12V	0°C - 60°C	—
NANOCOM-TGU-A10-0005	i7-1185GRE	16GB	eDP x 1, DDI x 1	—	SATA3 x 2, 64GB NVMe	2.5GbE x 1	USB 3.2 10Gbps x 2 USB 2.0 x 8	2 (Tx/Rx)	PCIe [x1] x 4	12V	0°C - 60°C	—

Temperature \*: For SATA only, no include onboard PCIe NVMe. Please contact technical team if any question.