

## 7" Rugged Tablet ARM-based Android™ with 1.0 GHz Dual Core Processor



### Features

- 7" WXGA (1280 x 800) TFT LCD Display, 400 nits; 680 nits (Optional)
- NVIDIA® TEGRA™ 2, 1.0 GHz Dual Core Processor
- DDR2 1GB SDRAM
- Projected Capacitive Multi-Touch Panel, Gorilla Glass
- Li-Polymer High-Capacity Battery, up to 8 Hours Battery Life
- Rugged, Water and Dust Proof, IP65 Compliant
- Micro SD Card Slot, 5M Pixel Camera
- WiFi 802.11 b/g/n , Bluetooth® 2.1+ EDR, Optional 3G
- G-Sensor, Light Sensor, E-compass, GPS Navigation
- Barcode Reader 2D/1D (Optional)
- MSR (Optional)/ SCR (Optional)
- Docking (Optional), NFC/RFID (Optional)
- Android™ v3.2/v4.0



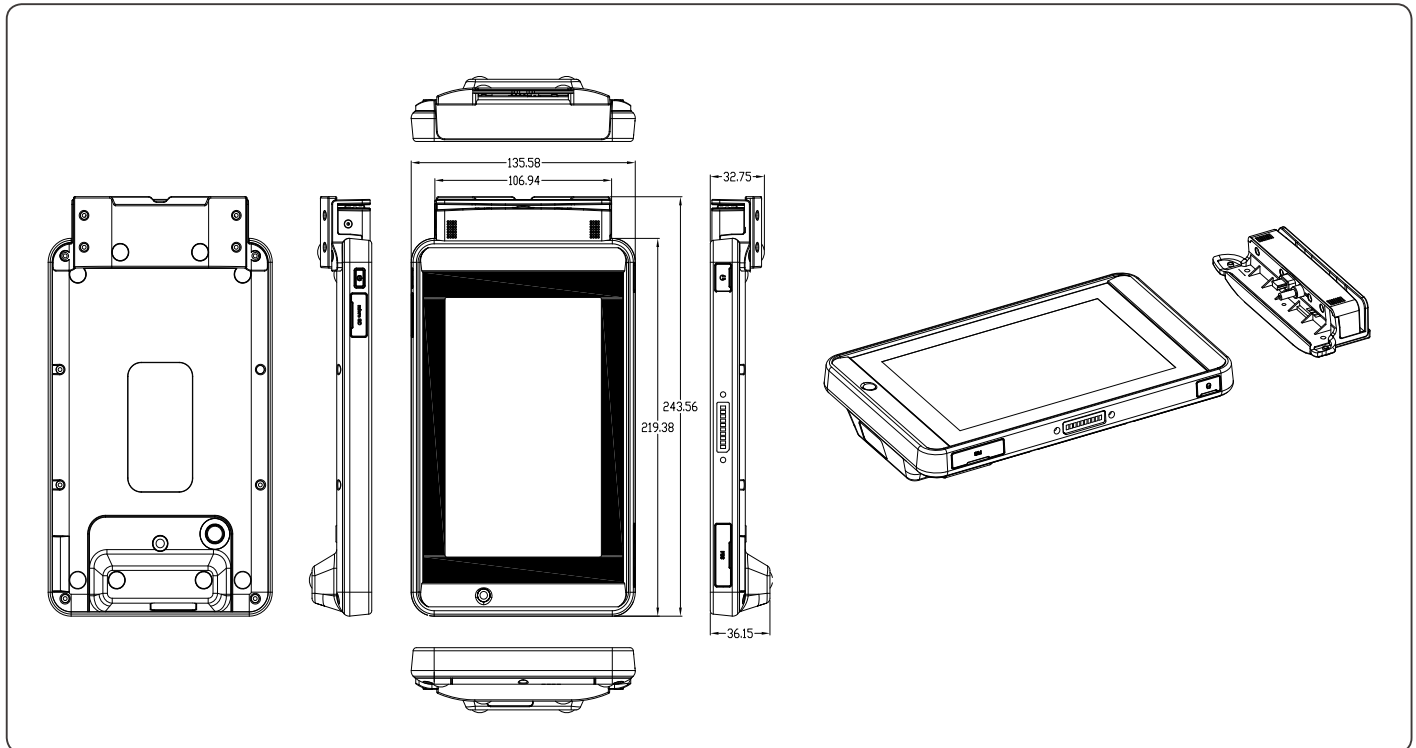
Camera	1.2 MP front camera, 5 MP auto-focus rear camera
Sensors	G-sensor, E-Compass, Gyroscope, Light-sensor
Expansion Slot	Docking
Barcode Code Scanner (optional)	1D Scanner support CMOS engine (optional), 2D Scanner support LED engine
RFID (optional)	HF RFID based on 13.56MHz compatible with NFC
<b>Mechanical</b>	
Color	Black
Dimension (W x H x D)	5.38" x 8.58" x 0.83" (136.6mm x 219mm x 21mm)
Gross Weight	1.254lb (0.57 kg)
<b>Environmental</b>	
Operating Temperature	-20 °C ~ 60 °C (-4 °F ~ 140°F)
Storage Temperature	-55 °C ~ 70 °C (-67°F ~ 158°F)
Humidity	50°C; 5% ~ 90%RH; 120 hours, non-condensing
Environmental Sealing	IP65
Vibration	MIL-STD-810G Method 514.6 Procedure I, Cat. 24, Fig. 514.6E-1 & E-2
Drop	MIL-STD-810G Method 516.6 Procedure IV
	- Height of Drop: 122cm (48 inch; 4ft),
	- Number of Drop: 26 times, - Floor: Twoinch plywood backed by concrete, - For all surfaces, edges and corners
ESD	Air charge: +/- 8KV, Contact charge: +/- 4KV
Certifications and Standards	UL: UL60950-1, CE/LVD: EN60950-1, FCC, CE
<b>Power Supply</b>	
AC / DC Adapter	AC 100~240V, 50~60Hz ; DC 12V/2A (24W)
Battery Life	Li-polymer High Capacity Battery, up to 8 Hours Battery Life
Master Battery	Internal Battery: 7.4V 3700mAh
Slave Battery	—
<b>Display</b>	
LCD	7" TFT-LCD / 16:10, with LED backlight
Resolution	1280 x 800 pixel
Maximum Color	16.7M
Dot Size	0.117x 0.117(H)
Brightness	400 nits; 680 nit (Optional)
Viewing Angle	Horizontal: 178° (Typ.), Vertical: 178° (Typ.)
<b>Touch Screen</b>	
Touch Type	Projected capacitive multi-touch screen (PCT)
Light Transmission	Min 87% (ASTM D1003; Wavelength = 550nm)

### Specifications

System Architecture	
Processor	nVIDIA® TEGRA™ 2 Dual Core 1.0 GHz Processor
Operating System	Android ® 4.0
Memory	Onboard 1GB LPDDR2
Storage	Onboard 16GB eMMC
Display	7" TFT-LCD / 16:10, with Projected Capacitive Multi-Touch screen
I/O Ports	DC-in jack x 1, MicroSD Card x 1, SIM card slot x 1, miniUSB 2.0 x 1, mini HDMI x 1, Built-in Speaker & Microphone x 1, 3.5mm stereo headphone jack x 1, 1D/2D Barcode scanner x 1 (Optional)
Communication	Bluetooth v2.1, Wi-Fi (802.11 b/g/n), NFC / RFID (13.56MHz), 3G (Optional)
Navigation	GPS; Glonass (Optional)
WWAN(optional)	3G: WCDMA

## Dimension

Unit: mm



## Packing List

- **1255300241**  
Power Adapter
- **Product CD**
- **RTC-700A**

## Optional Accessories

- **AP-OT9789666663**  
Vehicle Docking (Non-chargeable)
- **1700050156**  
USB OTG Cable (Host to Device)
- **AP-PS1757402101**  
Vehicle DC/DC Adapter
- **2192619062**  
Carry Bag w/ Shoulder Strap
- **1700051000**  
USB Cable (Client to PC)
- **9789700A02**  
Desktop Stand
- **1702031830**  
Power Cord Cable for USA
- **1702031831**  
Power Cable for Europe
- **PER-A139**  
MSR Module
- **PER-A140**  
MSR and Module
- **PER-A151**  
USB, COM and RJ45 Module
- **TF-RDS-0310-0000**  
Docking Station (with Stand)
- **TF-RDS-0310-0002**  
Docking Station (without Stand)
- **9789700A01**  
Portable Stand
- **9789700A03**  
Portable Stand with Ring Hand Strap

\* Small quantity MOQ may apply for optional/customized services.

## Ordering Information

Part Number	CPU	LCD Display	Touch Screen	System Memory	Storage	OS	WiFi/ Bluetooth	3G Bands (MHz)	Navigation	Sensor	Camera	Battery	Expansion I/O	Size & Weight	Operation Temp	Durable	NFC(HF RFID)	2D Barcode Scanner	Sunlight Readable	MSR	SCR	Docking
RTC-700A-TA-WBG-2110	NVIDIA® TEGRA™ 2 1.0 GHz	7" TFT LCD	Pcap 10-point	LPDDR2 1GB	16GB eMMC Flash	Android 4.0	802.11 b/g/n + BT2.1 + EDR	—	GPS	Light Sensor x 1, G Sensor x 1, 3-axis digital groscope x 1, Vibrator x 1	Front: 1.2MP, Back: 5MP	27Whr, 7.4V, 3700mAh	MiniHDMI x 1, MiniUSB x 1, micro SD x 1, SIM Card x 1	L219.4 x W135.58 x H 21.2 mm, 579g	-20°C~60°C	—	—	—	—	—	—	—
TF-RTC-700A-TAS-WBGH-1111	NVIDIA® TEGRA™ 2 1.0 GHz	7" TFT LCD	Pcap 10-point	LPDDR2 1GB	16GB eMMC Flash	Android 4.0	802.11 b/g/n + BT2.1 + EDR	850/1900/2100	GPS/AGPS	Light Sensor x 1, G Sensor x 1, 3-axis digital groscope x 1, Vibrator x 1	Front: 1.2MP, Back: 5MP	27Whr, 7.4V, 3700mAh	MiniHDMI x 1, MiniUSB x 1, micro SD x 1, SIM Card x 1	L219.4 x W135.58 x H 21.2 mm, 630g	-20°C~60°C	Meet IEC 60529 IP-65 standard, Mil Std 810G-516.6, Procedure IV, 26 drops of 48" height to 2" plywood over concrete with bumpers & ulmits off, 2 units to pass	—	—	680nits	—	—	—
TF-RTC-700A-TAS-WBG-1111	NVIDIA® TEGRA™ 2 1.0 GHz	7" TFT LCD	Pcap 10-point	LPDDR2 1GB	16GB eMMC Flash	Android 4.0	802.11 b/g/n + BT2.1 + EDR	—	GPS	Light Sensor x 1, G Sensor x 1, 3-axis digital groscope x 1, Vibrator x 1	Front: 1.2MP, Back: 5MP	27Whr, 7.4V, 3700mAh	MiniHDMI x 1, MiniUSB x 1, micro SD x 1, SIM Card x 1	L219.4 x W135.58 x H 21.2 mm, 600g	-20°C~60°C	—	—	680nits	—	—	—	
TF-RTC-700A-TAD-WBG-2328	NVIDIA® TEGRA™ 2 1.0 GHz	7" TFT LCD	Pcap 10-point	LPDDR2 1GB	16GB eMMC Flash	Android 4.0	802.11 a/b/g/n + BT2.1	—	GPS	Light Sensor x 1, G Sensor x 1, 3-axis digital groscope x 1, Vibrator x 1	Front: 1.2MP, Back: 5MP	27Whr, 7.4V, 3700mAh	MiniHDMI x 1, MiniUSB x 1, micro SD x 1, SIM Card x 1	L219.4 x W135.58 x H 36 mm 720g	-20°C~60°C	—	Yes	—	—	—	Yes	
TF-RTC-700A-TAD-WBG-2928	NVIDIA® TEGRA™ 2 1.0 GHz	7" TFT LCD	Pcap 10-point	LPDDR2 1GB	16GB eMMC Flash	Android 4.0	802.11 a/b/g/n + BT2.1	—	GPS	Light Sensor x 1, G Sensor x 1, 3-axis digital groscope x 1, Vibrator x 1	Front: 1.2MP, Back: 5MP	27Whr, 7.4V, 3700mAh	micro SD x 1, SIM Card x 1	L240 x W135.58 x H 36 mm 795g	-20°C~60°C	—	Yes	—	Yes	Yes	Yes	