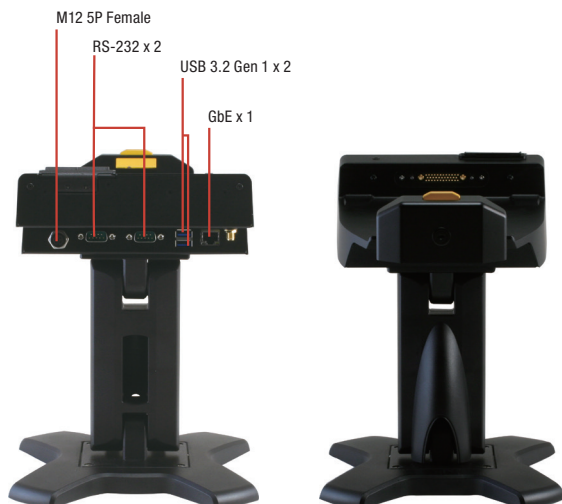


# RDS-241V

Rugged Docking Station for RTC-1200



## Features

- Apply on RTC-1200
- Front-facing I/O: USB 2.0 x 2 with Protection Cover
- Downward-facing I/Os for Easy Cable Management: USB 3.2 Gen 1 x 2, RS-232 x 2 (One with 5V in Pin 9 & the Other with GPIO x 8), RJ45 GbE x 1, M12 DC-in x 1
- Wide Voltage Input: 9VDC ~ 36VDC via M12-5P Female Connector
- Power Adaptor: AC Power Adaptor (Default)
- Anti-theft lock with Key & VESA Mount Support
- External GPS and WWAN SMA Connectors

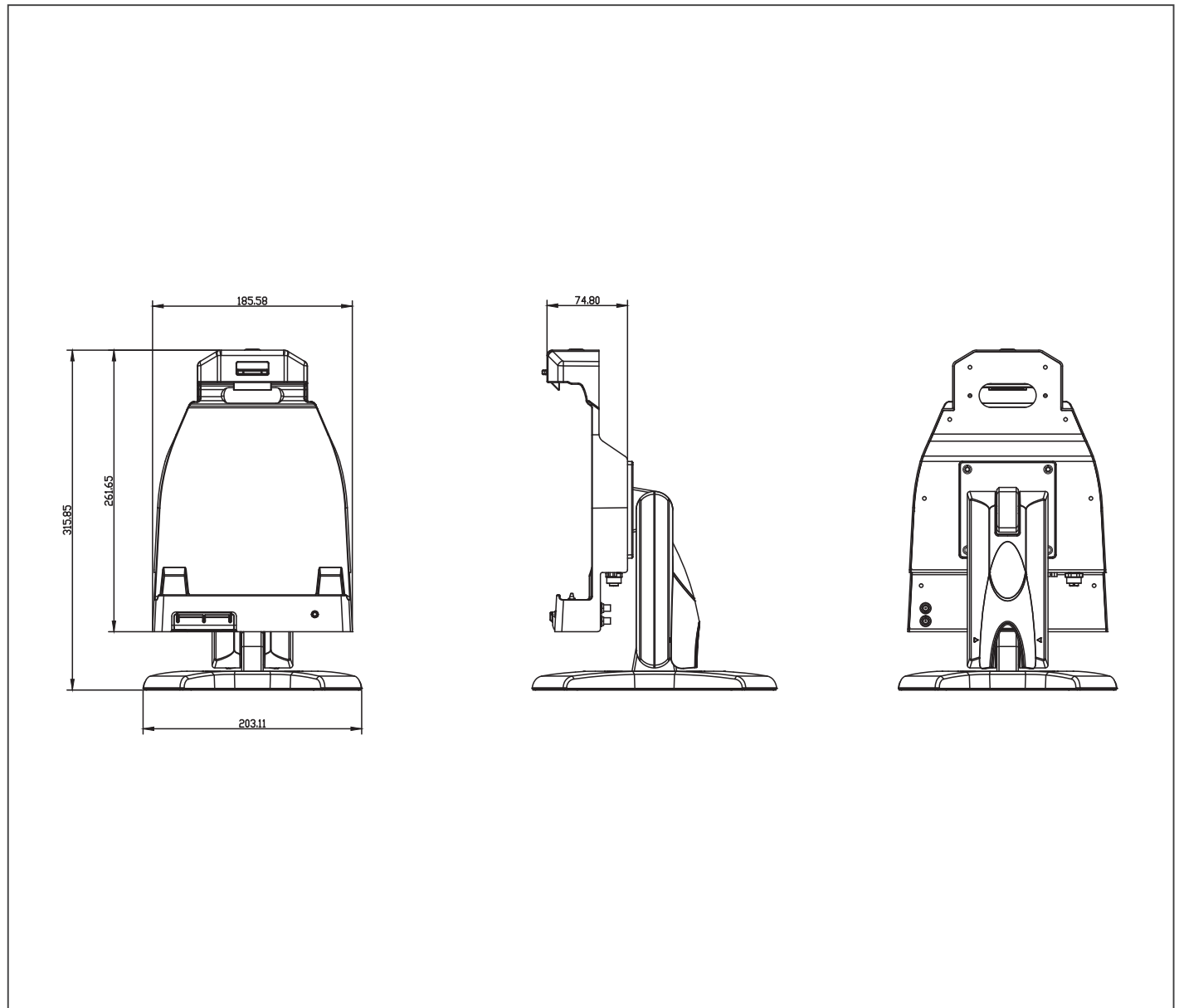


## Specifications

System	
I/O	Front-facing I/Os: USB 2.0 x 2 with protection cover Downward-facing I/Os: USB 3.2 Gen 1 x 2 RS-232 x 2 (One with 5V in Pin 9 & the Other with GPIO x 8) RJ45 GbE x 1 M12 DC-in x 1 External GPS and WWAN SMA connectors
DC Input	M12 5P Female (DC 9V to 36V)
LED Indicator	Orange: DC in w/o Tablet Blue: DC in w/ Tablet
Others	Anti-theft lock with key & VESA mount support
Mechanical	
Color	Black
Construction	PC
Dimension (W x H x D)	10.28" x 6.50" x 2.96" (261 x 165 x 75 mm)
Gross Weight	6.44 lb (2.92 Kg)
Environmental	
Operating Temperature	32°F ~ 104°F (0°C ~ 40°C)
Storage Temperature	14°F ~ 122°F (-10°C ~ 50°C)
ESD	Air charge: +/- 8KV Contact charge: +/- 4KV
Certifications and Standards	CE / FCC Class B / UL
Power Supply	
AC Adapter	AC 100 ~ 240 V, 47 ~ 63 Hz Output: 19V/ 4.74A/ 90W
DC Adaptor	N/A

## Dimension

Unit: mm



## Ordering Information

Part Number	Applied Models	Stand	Expansion I/O
RDS-241V-000	For RTC-1200 Series w/ Stand	Yes	USB 2.0 x 2, USB 3.2 Gen 1 x 2, RS-232 x 2, LAN x 1, DC Connector, GPS and WWAN SMA x 2
RDS-241V-001	For RTC-1200 Series w/o Stand	No	USB 2.0 x 2, USB 3.2 Gen 1 x 2, RS-232 x 2, LAN x 1, DC Connector, GPS and WWAN SMA x 2

## Packing List

- **RDS-241V**  
\*Power cord must be purchased separately.

## Optional Accessories

- **1255300908**  
AC-To-DC Power Adaptor, 19V, 90W
- **1702031831**  
Power cord for Europe
- **1702031830**  
Power cord for USA