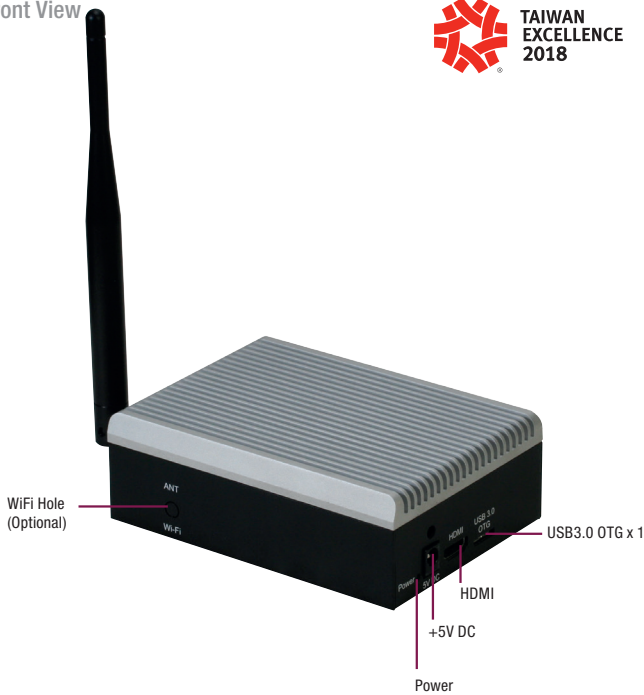


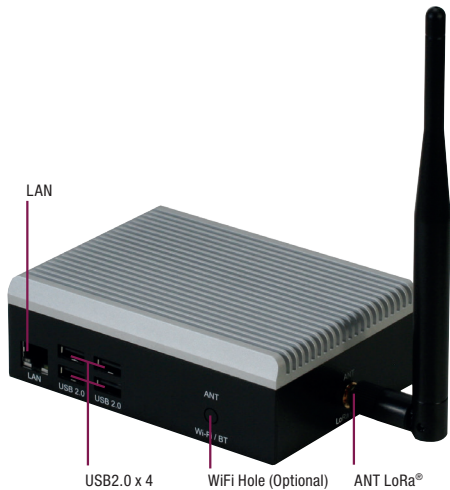
AIOT-ILRA01

LoRa® Certified Intel® Based Gateway and Network Server

Front View



Rear View



Features

- Intel® Atom™ x5-Z8350 SoC
- Onboard 2GB/4GB DDR3L Memory, 32GB/64GB eMMC Storage
- Gigabit LAN x 1, HDMI x 1
- USB 2.0 x 4, USB 3.0 OTG x 1
- LoRa® Function Supported
- Supports Frequency Band 868 MHz

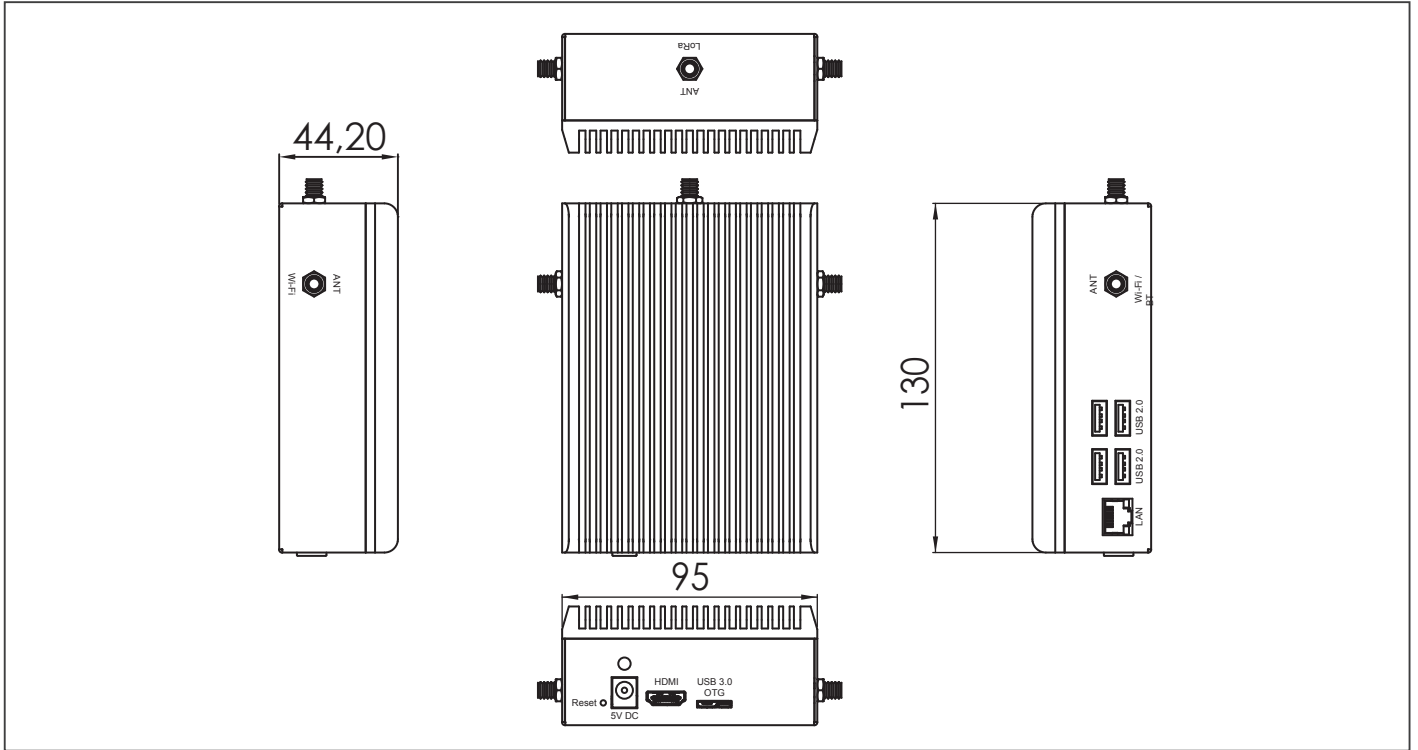


Specifications

System	
CPU	Intel® Atom™ x5-z8350 SoC
Chipset	Intel® System on Chip
Memory	Onboard 2GB/4GB DDR3L - 1600 memory
Storage	32GB/64GB eMMC on board
Display	HDMI
Ethernet	8111G x 1
USB	USB2.0 x 4, USB 3.0 OTG x 1
COM	—
Digital I/O	—
Expansion Slot	—
Indicator	—
WI-FI	—
Bluetooth	—
Lora	Frequency band 868MHz Sensitivity down to -138 dBm Tx/Rx front-ends x 2 RF interface optimized to 50Ω Output power level up to 20 dBm Range up to 15 km (Line of Sight)
POE	—
OS Support	Ubilinux
I/O Placements	
Front I/O	DC connector x 1 Antenna hole x 1 HDMI Connector x 1 USB 3.0 OTG x 1 Power button x 1
Rear I/O	Antenna hole x 1
Right side I/O	RJ45 Connector x 1 USB 2.0 Stack Connector x 2 Antenna hole x 1
Left side I/O	Antenna hole x 1
Power	
Power Requirement	5V DC in
Mechanical	
IP	—
Dimension	5.12" x 3.74" x 1.74" (130mm x 95mm x 44.2mm)
Mounting	VESA Mount (optional)
Gross Weight	7.8lb (3.5kg)
Net Weight	5.6lb (2.5kg)
Environment	
Operating Temperature	32°F ~ 122°F (0°C ~ 50°C)
Storage Temperature	-4°F ~ 158°F (-20°C ~ 70°C)
Storage Humidity	0% ~ 90% relative humidity, non-condensing
Anti-Vibration	3 Grms /5 ~500Hz/Operation
Certification	CE

Dimension

Unit: mm



Ordering Information

Part Number	CPU	RAM	Storage	LAN	USB	Display	WiFi/BT	LoRa	Mounting	PoE	Power	Operation Temp.
AIOT-ILRA01-A10-CA40232EU-A11	Intel® Atom™ x5-z8350 SoC	2GB	32GB	1	USB2.0 x 4 USB 3.0 OTG x 1	HDMI x 1	—	Frequency band 868MHz	—	—	5V DC In	32°F ~ 122°F (0°C ~ 50°C)
AIOT-ILRA01-A10-CA41232EU-A11	Intel® Atom™ x5-z8350 SoC	2GB	32GB	1	USB2.0 x 4 USB 3.0 OTG x 1	HDMI x 1	—	Frequency band 868MHz	VESA Mount	—	5V DC In	32°F ~ 122°F (0°C ~ 50°C)
AIOT-ILRA01-A10-CA40464EU-A11	Intel® Atom™ x5-z8350 SoC	4GB	64GB	1	USB2.0 x 4 USB 3.0 OTG x 1	HDMI x 1	—	Frequency band 868MHz	—	—	5V DC In	32°F ~ 122°F (0°C ~ 50°C)
AIOT-ILRA01-A10-CA41464EU-A11	Intel® Atom™ x5-z8350 SoC	4GB	64GB	1	USB2.0 x 4 USB 3.0 OTG x 1	HDMI x 1	—	Frequency band 868MHz	VESA Mount	—	5V DC In	32°F ~ 122°F (0°C ~ 50°C)

Packing List

- LoRa® Antenna
- AIOT-ILRA01

Optional Accessories

- 1255300203
Power Adapter, AC/DC, 100-240VAC, 20W, 5V DC/4A