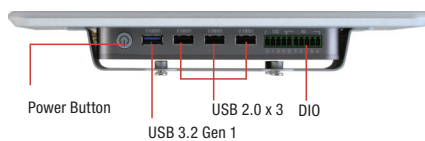




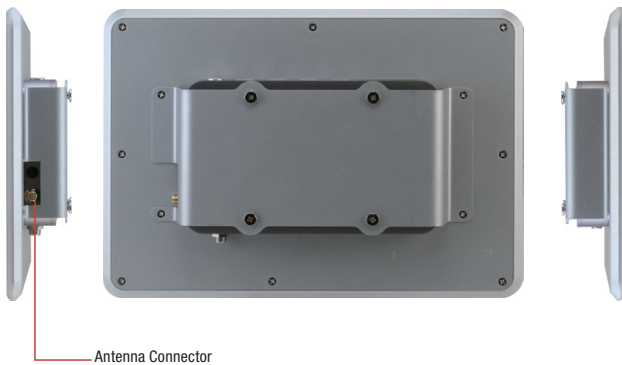
10.1" WXGA Ultra-slim Fanless Multi Touch Panel PC With Intel® Celeron® J1900/ N2807 Processor, 2GB RAM



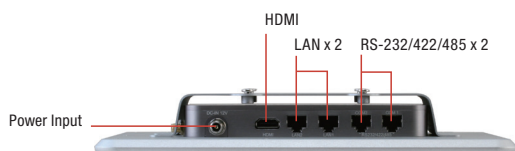
Top I/O Side



Rear Side



Button I/O Side



Features

- 10.1" WXGA (1280 x 800) Color TFT LCD Display
- Intel® Celeron® J1900/ N2807 Processor
- Aluminum Design
- P-CAP Multi-touch
- Fanless Operation
- VESA 75/ Panel Mount/ Stand Support
- IP65 Compliant Front Bezel



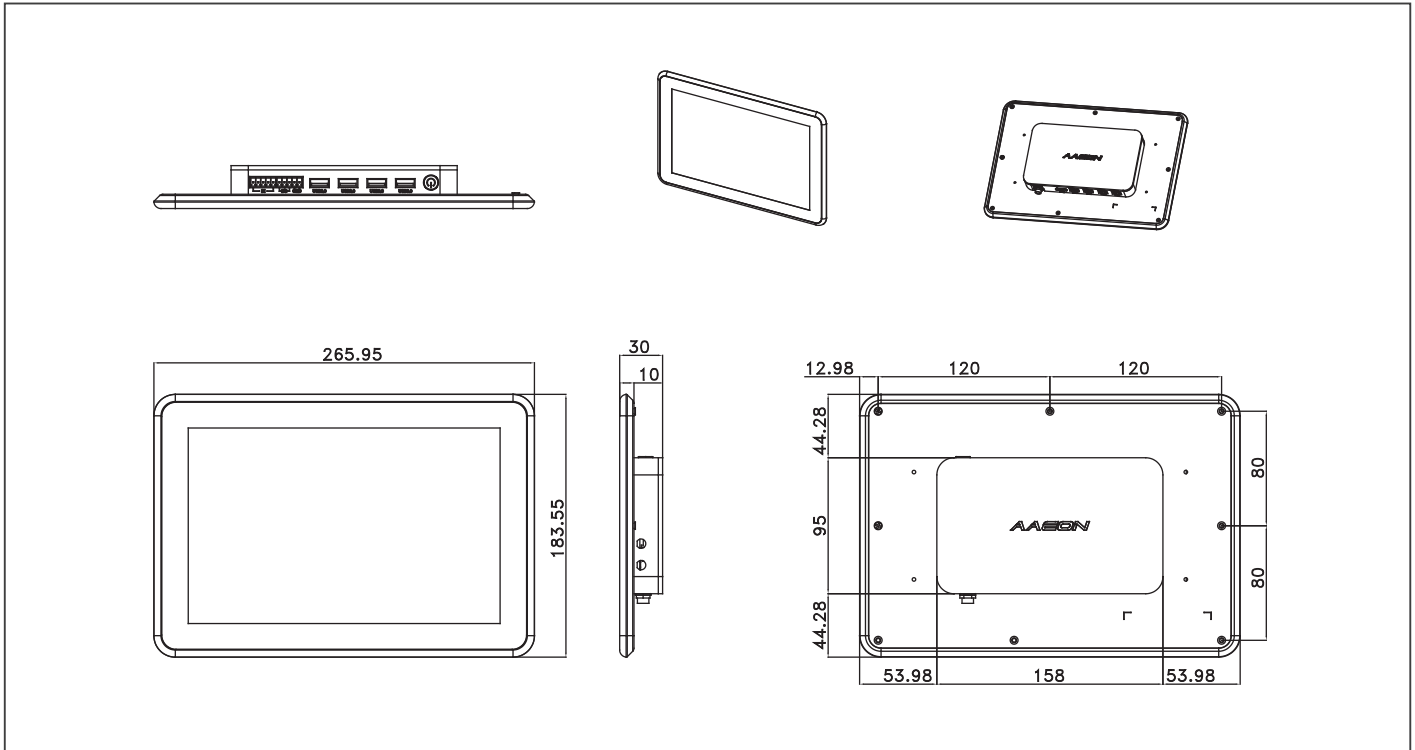
Specifications

System	
Processor	Intel® Celeron® J1900 processor, 2 GHz Intel® N2807 processor, 1.58 GHz
System Memory	204-pin DDR3L 1333MHz SODIMM x 1, default 2 GB, up to 8 GB (J1900) 204-pin DDR3L 1333MHz SODIMM x 1, default 2 GB, up to 4 GB (N2807)
LCD/CRT controller	Integrated in processor
Ethernet	10/100/1000 Base-TX, RJ-45 x 2
I/O Port	RS-232/422/485 x 2 (RJ-45 connector) USB 2.0 type A x 3 USB 3.2 Gen 1 type A x 1 HDMI x 1 DI/O (4 DI, 2 DO) BIOS selection Power button x 1 Lockable power connector x 1
Storage Disk Drive	Half size mSATA x 1 (Installation by AAEON recommended)
Expansion Slot	Full size Mini-Card x 1
OS support	Windows® 7, Windows® 8.1, Windows® 10
Mechanical	
Front Panel	Aluminum Design
Mounting	VESA 75/ Panel mount/ Stand
Dimension	10.47" x 7.22" x 1.18" (266 x 183.5 x 30mm)
Carton Dimension	13.58" x 7.87" x 9.65" (345 x 200 x 245mm)
Gross Weight	5.5 lb (2.5 kg)
Environmental	
Operating Temperature	32°F ~ 113°F (0°C ~ 45°C) without airflow 32°F ~ 122°F (0°C ~ 50°C) with airflow
Storage Temperature	-4°F ~ 158°F (-20°C ~ 70°C)
Storage Humidity	5%~90% @40°C, non-condensing
Vibration	1 Grms/ 5~ 500Hz/ operation
Shock	15 G peak acceleration (11 msec. duration)
EMC	CE/FCC class A
Power Supply	
DC Input	DC 12V with lockable power adapter
LCD	
Display Type	10.1" TFT-LCD, LED
Max. Resolution	1280 x 800
Max. Colors	262k
Luminance	300 cd/m ²
Viewing Angle	170° (H), 170° (V)
Back Light	LED
Back Light MTBF (Hours)	—
Touchscreen	
Type	Projected capacitive multi-touch
Light Transmission	—



Dimension

Unit: mm



Packing List

- **125530060Y**
Power Adapter, DC12V, 60W
- **1700090156 x 2**
RJ-45 to COM Cable
- **VESA Mount Kit**
- **9741107300**
Panel Mount Kit
- **VESA Screws**
- **ACP-1104**

Optional Accessories

Part Number	Description
170X000799	Power Cord (US Type)
170X000800	Power Cord (European Type)
170X000803	Power Cord (Japanese Type)
M041073020	Stand Kit

Ordering Information

Part Number	Display Type	Max. Resolution	Luminance	View Angle	Backlight MTBF	CPU	LAN	USB	RS-232	RS-232/422/485	Storage	RAM	Display	Expansion	Mounting	Power	Temp.	Touch
ACP-1104HTT-A1-1015	10.1" TFT-LCD	1280 x 800	300 cd/m ²	170°(H), 170°(V)	25,000	Intel® Celeron® J1900, 2.0 GHz	2	USB 3.2 Gen 1 x 1, USB 2.0 x 3	—	2	Half size mSATA	2GB DDR3L RAM Included	HDMI x 1	—	VESA 75/Stand	DC 12V	32°F ~ 113°F (0°C ~ 45°C) (mSATA, w/o airflow) 32°F ~ 122°F (0°C ~ 50°C) (mSATA, w/ airflow)	Projected Capacitive touch
ACP-1104HTT-B1-1015	10.1" TFT-LCD	1280 x 800	300 cd/m ²	170°(H), 170°(V)	25,000	Intel® Celeron® J1900, 2.0 GHz	2	USB 3.2 Gen 1 x 1, USB 2.0 x 3	—	2	Half size mSATA	2GB DDR3L RAM Included	HDMI x 1	WiFi	VESA 75/Stand	DC 12V	32°F ~ 113°F (0°C ~ 45°C) (mSATA, w/o airflow) 32°F ~ 122°F (0°C ~ 50°C) (mSATA, w/ airflow)	Projected capacitive touch
ACP-1104HTT-A3-1015	10.1" TFT-LCD	1280 x 800	300 cd/m ²	170°(H), 170°(V)	25,000	Intel® Celeron® N2807, 1.58 GHz	2	USB 3.2 Gen 1 x 1, USB 2.0 x 3	—	2	Half size mSATA	2GB DDR3L RAM Included	HDMI x 1	—	VESA 75/Stand	DC 12V	32°F ~ 113°F (0°C ~ 45°C) (mSATA, w/o airflow) 32°F ~ 122°F (0°C ~ 50°C) (mSATA, w/ airflow)	Projected capacitive touch
ACP-1104HTT-B3-1015	10.1" TFT-LCD	1280 x 800	300 cd/m ²	170°(H), 170°(V)	25,000	Intel® Celeron® N2807, 1.58 GHz	2	USB 3.2 Gen 1 x 1, USB 2.0 x 3	—	2	Half size mSATA	2GB DDR3L RAM Included	HDMI x 1	WiFi	VESA 75/Stand	DC 12V	32°F ~ 113°F (0°C ~ 45°C) (mSATA, w/o airflow) 32°F ~ 122°F (0°C ~ 50°C) (mSATA, w/ airflow)	Projected capacitive touch