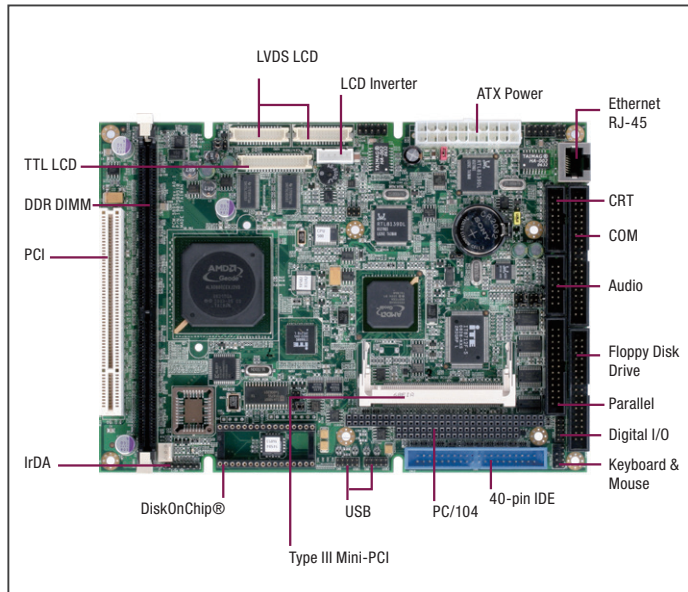


Compact Board with AMD Geode™ LX Series Processor**Features**

- AMD Geode™ LX800 Processor
- AMD Geode™ LX + CS5536
- DDR 333/400 MHz DIMM x 1, Up To 1 GB
- 10/100Base-TX Ethernet x 2, RJ-45 x 1, Pin Header x 1
- Up To 24-bit LVDS/TTL LCD, CRT
- Realtek ALC203
- Type 2 CompactFlash™ x 1, EIDE x 1, Floppy Disk Drive x 1
- USB x 4, COM x 4, 8-bit Digital I/O
- PCI x 1, Mini-PCI, PC/104 x 1
- ATX Power

Specifications

System	
Form Factor	5.25" Compact Board
CPU	Onboard AMD Geode™ LX 800
CPU Frequency	Up to 500 MHz
Chipset	AMD Geode™ LX 800 + CS5536
Memory Type	SDRAM DDR333/400, DIMM x 1
Max. Memory Capacity	1 GB
BIOS	Award 1 MB
Wake on LAN	Yes
Watchdog Timer	255 Levels
Power Requirement	ATX
Power Supply Type	AT/ ATX
Power Consumption (Typical)	AMD Geode™ LX 800 (500 MHz) DDR400 256 MB 2.33A@+5V
Dimension (L x W)	8" x 5.75" (203mm x 146mm)
Operating Temperature	32°F ~ 140°F (0°C ~ 60°C)
Storage Temperature	-40°F ~ 176°F (-40°C ~ 80°C)
Operating Humidity	0% ~ 90% relative humidity, non-condensing
MTBF (Hours)	80,000
Certification	CE/FCC
Display	
VGA/LCD Controller	AMD Geode™
Video Output	LVDS/TTL, CRT
Backlight Inverter Supply	Max. 12V
I/O	
Ethernet	10/100Base-TX x 2, Realtek RTL8139DL (Real I/O, Pin Header x 1)
Audio	Realtek ALC203
USB Port	USB2.0 x 4
Serial Port	RS-232 x 3, RS-232/422/485 x 1
Parallel Port	SPP/EPP/ECP x 1
HDD Interface	UDMA100 x 1
FDD Interface	FDD x 1
SSD	CompactFlash™
Expansion Slot	PCI, Mini-PCI, PC/104
PWM LCD Support	—
DIO	8-bit
TPM	—
Touch	—

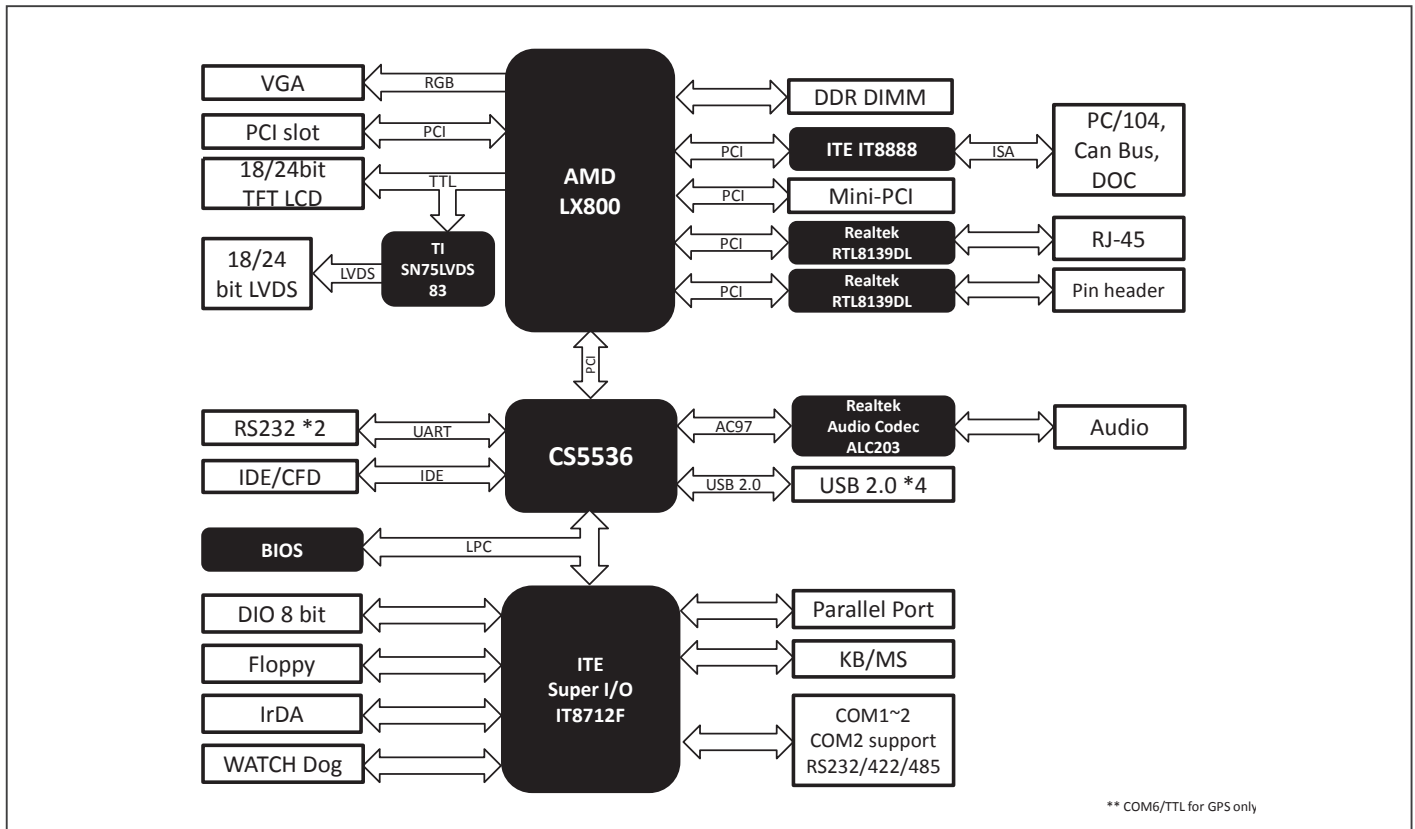
**Packing List**

- 9657666000
Jumper Cap
- Product CD
- PCM-5895 Rev. A

Optional Accessories

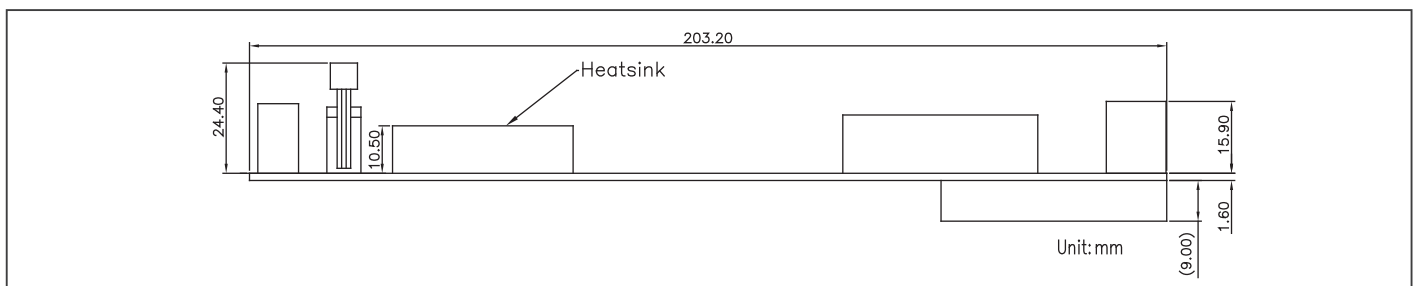
- TF-PER-A030
Cable Kit for PCM-5895
- TF-PCM-3660-B10
PC/104 Ethernet Module
- TF-PER-C10L-A10
Mini-PCI 10/100Base-TX Ethernet Module with Realtek 8100C
- TF-PER-C10L-A10-01
Mini-PCI 10/100/1000Base-TX Ethernet Module with Realtek 8110S
- TF-PER-C10L-A10-03
Mini-PCI 10/100/1000Base-TX Ethernet Module with Intel® 82541GI

Block Diagram



Dimension

Unit: mm



Ordering Information

Part Number	CPU	Memory	Fan/Fanless	Display	LVDS	Storage	LAN	USB	RS-232	RS-232/422/485	Expansion Slot	Power	Temp.	Others
TF-PCM-5895-A10	AMD Geode™ LX800	DDR (Max. 1 GB)	Fanless	CRT + LVDS CRT + TTL	18b, 1CH	IDE x 1 CompactFlash™ x 1	FE x 1	4	3	1	Mini-PCI x 1 PCI x 1 PC/104 x 1	ATX	0°C ~ 60°C	DIO 8-bit Audio LPT PS/2
TF-PCM-5895-A10-01	AMD Geode™ LX800	DDR (Max. 1 GB)	Fanless	CRT + LVDS CRT + TTL	24b, 1CH	IDE x 1 CompactFlash™ x 1	FE x 1	4	3	1	Mini-PCI x 1 PCI x 1 PC/104 x 1	ATX	0°C ~ 60°C	DIO 8-bit Audio LPT PS/2