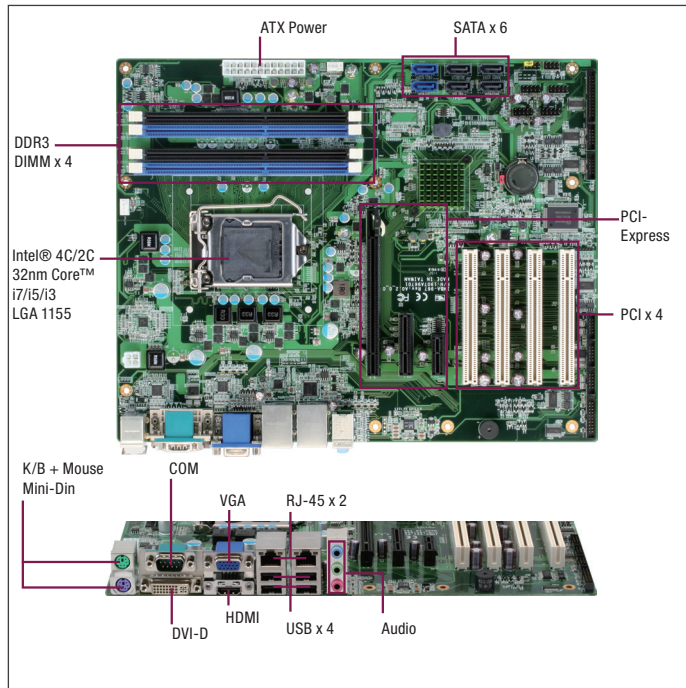


ATX Industrial Motherboard with Intel® Core™ i7/i5/i3 Processor



Features

- Intel® Core™ i7/i5/i3 LGA 1155 (4C/ 2C 32nm) Processor with Graphic & Memory Controller
- Intel® Q67
- Dual-Channel DDR3 1066/1333 MHz, Up to 32 GB
- Intel® 10/100/1000Base-TX Ethernet x 2 (LAN1 Supports Intel® iAMT 7.0)
- Intel® Integrated GPU Supports Dual Display By VGA, DVI, HDMI
- HDAC with Realtek ALC662
- SATA 6.0 Gb/s and 3.0 Gb/s x 6, Supports RAID 0/1/5/10
- USB 2.0 x 12, COM x 6, LPT x 1, IrDA x 1
- PCI-E [x16] x 1, PCI-E [x4] x 1, PCI-Express [x1] x 1, PCI x 4



Specifications

System	
Processor	Socket LGA1155 2nd generation Intel® Processor
Chipset	Intel® Q67
Memory	Dual-channel with 240-pin DRAM x 4, DDR3 1333/1066, up to 32GB
I/O Chipset	Winbond W83627DHG
Ethernet	Intel® 82579LM / 82574L, Gb LAN x 2
Audio	Realtek® ALC662
TPM	Infineon SLB9635TT 1.2(Optional)
Expansion Slots	PCIe [x16] x 1, PCIe [x4] x 1, PCIe [x1] x 1, PCI x 4
BIOS	AMI BIOS - 64MB ROM
H/W Monitor	Supports System temperature, Voltage, and Cooling fan status monitoring
WatchDog Timer	1~255 steps by software program
Smart Fan Control	—
Wake On LAN / PXE	Yes
Power State	S3,S4,S5
Graphics	
Graphics Chipset	Intel® Core™ i7/i5/i3 + Q67
Graphics Multi Display	VGA+HDMI, VGA+DVI, HDMI+DVI
VGA	1
DVI	1
HDMI	1
Display Port	—
LVDS	—
eDP	—
Backlight Control	Voltage
Environment & Power & ME	
Battery	Lithium Battery
Power Requirement	12V DC
Operating Temperature	32°F ~ 140°F (0°C ~ 60°C)
Storage Temperature	-40 °F ~ 176 °F (-40 °C ~ 80 °C)
Operating Humidity	0% ~ 90% R/H, non-condensing
Certificate	CE/FCC
Form Factor	ATX form Factor, 12" x 9.6" (305mm x 244mm)
Weight	1.76 lb (0.8 kg)
MTBF (Hours)	52,000

Rear Panel I/O Ports

USB	USB 2.0 x 4 with Type A connectors
Display I/O	HDMI x 1, DVI-D x 1, VGA x 1
Audio I/O	Line-in, Mic-in, Line-out
LAN I/O	RJ-45 x 2
Serial Port	RS-232 x 1
PS/2 Port	Mini-Din PS/2 K/B and Mouse x 1
Others	—

Internal I/O Connectors

Storage	SATA 6.0 Gb/s x 2, SATA 3.0 Gb/s x 4, Supports RAID 0,1,5,10
USB	USB 2.0 x 8
Display I/O	—
Audio I/O	—
Serial Port	RS-232 x 3, RS-232/422/485 x 1
PS/2 Port	—
Parallel Port	LPT x 1
DIO	8-bit programmable (4-in/4-out)
FAN	CPU Fan connector(s) (4-pin) x 1, Chassis Fan connector(s) (4-pin) x 1
Power	24-pin ATX connector x 1, 4-pin connector x 1
Others	IrDA x 1
OS	
OS Support	Windows® XP, Windows® 7 32/64-bit, Linux Fedora

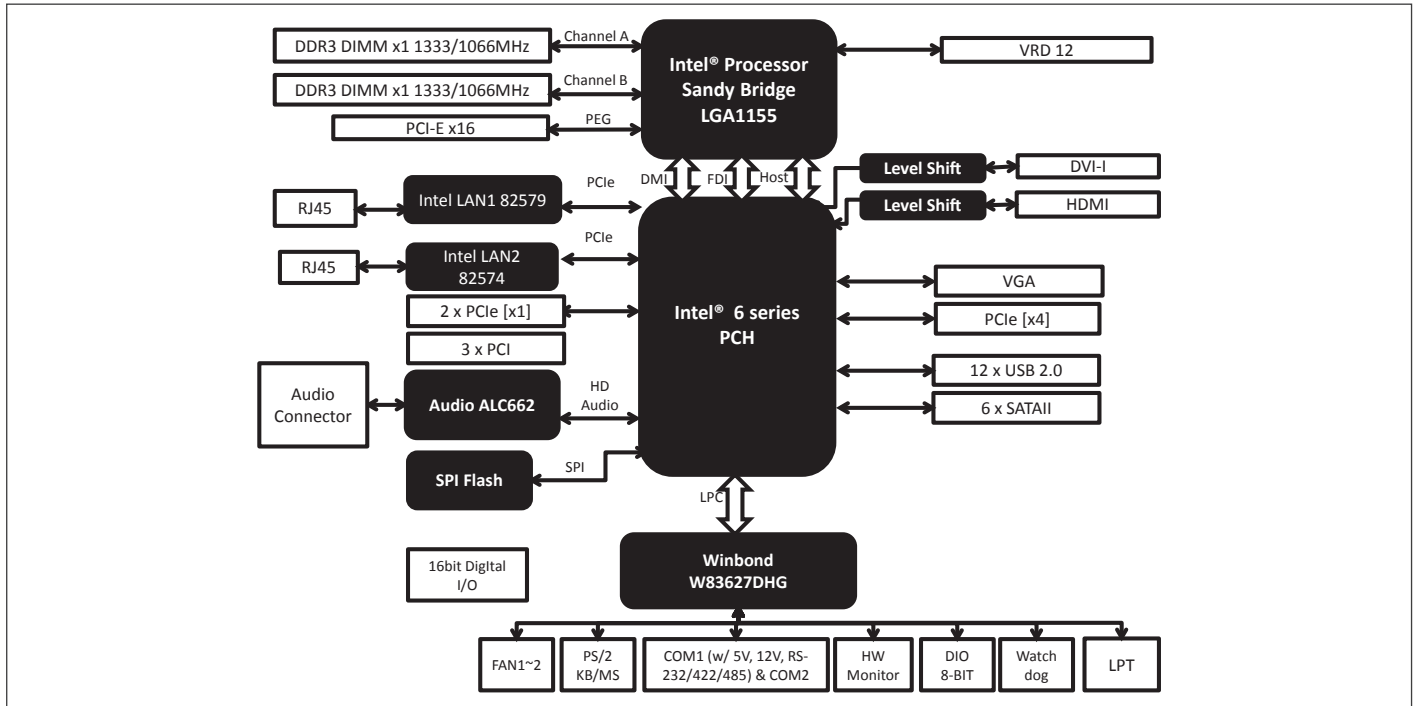
Packing List

- 1700100353
USB Cable
- 1701100305
COM Port Cable
- 1709070800
SATA Cable
- M20QM57000
I/O Shield
- Product DVD
- IMBA-967

Optional Accessories

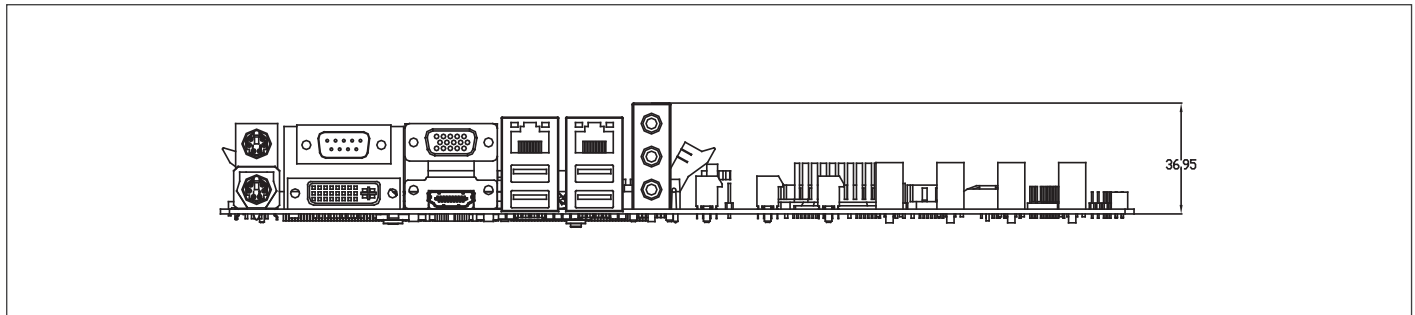
- 1759200172
CPU Cooler for LGA 1155 CPU, TDP 95W

Block Diagram



Dimension

Unit: mm



Ordering Information

Part Number	CPU	RAM	Fan/Fanless	Display	Storage	LAN	USB	RS-232	RS-232/422/485	Expansion Slot	Power	TPM	Temp.
TF-IMBA-967-A11-G2-OSP	Socket	DDR3 32GB	Fan	VGA/DVI-D/HDMI	SATA2 x 4, SATA3 x 2	GbE x 2	USB 2.0 x 12	5	1	PCIe [x16] x 1, PCIe [x4] x 1, PCIe [x1] x 1, PCI x 4	ATX	—	32°F ~ 140°F (0°C ~ 60°C)
TF-IMBA-967-A11-VG-OSP	Socket	DDR3 32GB	Fan	VGA/DVI-D/HDMI	SATA2 x 4, SATA3 x 2	GbE x 1	USB 2.0 x 12	5	1	PCIe [x16] x 1, PCIe [x4] x 1, PCIe [x1] x 1, PCI x 4	ATX	—	32°F ~ 140°F (0°C ~ 60°C)