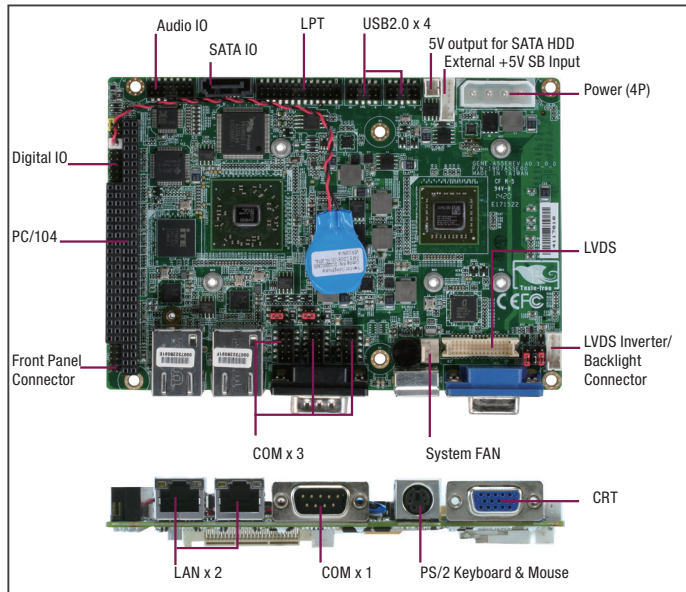


3.5" SubCompact Board with AMD G-series T16R Processor



Features

- AMD G-series T16R Single Core 615 MHz Processor
- AMD A55E
- DDR3L SODIMM 1066 MHz Memory, Max. 4 GB
- Gigabit Ethernet x 2
- VGA, 18/24-bit Dual-channel LVDS LCD
- 2CH HD Audio
- SATA 3.0 Gb/s x 1 & CompactFlash™ x 1
- PC/104 Interface Support
- Supports 8-bit Digital I/O, USB2.0 x 4, COM x 4, LPT x 1
- Mini-Card Slot x 1
- +5V Input, AT/ATX

Specifications

System	
Form Factor	3.5" SubCompact Board
CPU	AMD G-Series T16R/T40R/T56N
CPU Frequency	615MHz up to dual core 1G
Chipset	AMD A55E
Memory Type	DDR3L 1066MHz, SODIMM x 1
Max. Memory Capacity	4 GB
BIOS	SPI type
Wake on LAN	Yes
Watchdog Timer	255 Levels
Power Requirement	+5V
Power Supply Type	AT/ ATX
Power Consumption (Typical)	AMD G-T16R, DDR3 1333MHz 4GB, 2.20A@+5V
Dimension (L x W)	5.75" x 4" (146mm x 101.6mm)
Operating Temperature	32°F ~ 140°F (0°C ~ 60°C)
Storage Temperature	-40°F ~ 176°F (-40°C ~ 80°C)
Operating Humidity	0% ~ 90% relative humidity, non-condensing
MTBF (Hours)	148,000
Certification	CE/FCC
Display	
VGA/LCD Controller	AMD Radeon HD 6250
Video Output	CRT, LVDS, TTL LCD
Backlight inverter supply	Up to 24-bit dual-channel LVDS
I/O	
Ethernet	Realtek RTL-8111E, 10/100/1000Base-TX x2
Audio	High definition audio interface
USB Port	USB2.0 x 4
Serial Port	RS-232 x 2, RS-232/422/485 x 2
Parallel Port	SPP/ECP/EPP X 1 (Sharded with DIO)
HDD Interface	SATA2.0 x 1
FDD Interface	—
SSD	CompactFlash™
Expansion Slot	Mini-Card x 1, PC/104
DIO	8-bit
SIM	x 1
TPM	—
Touch	x 1



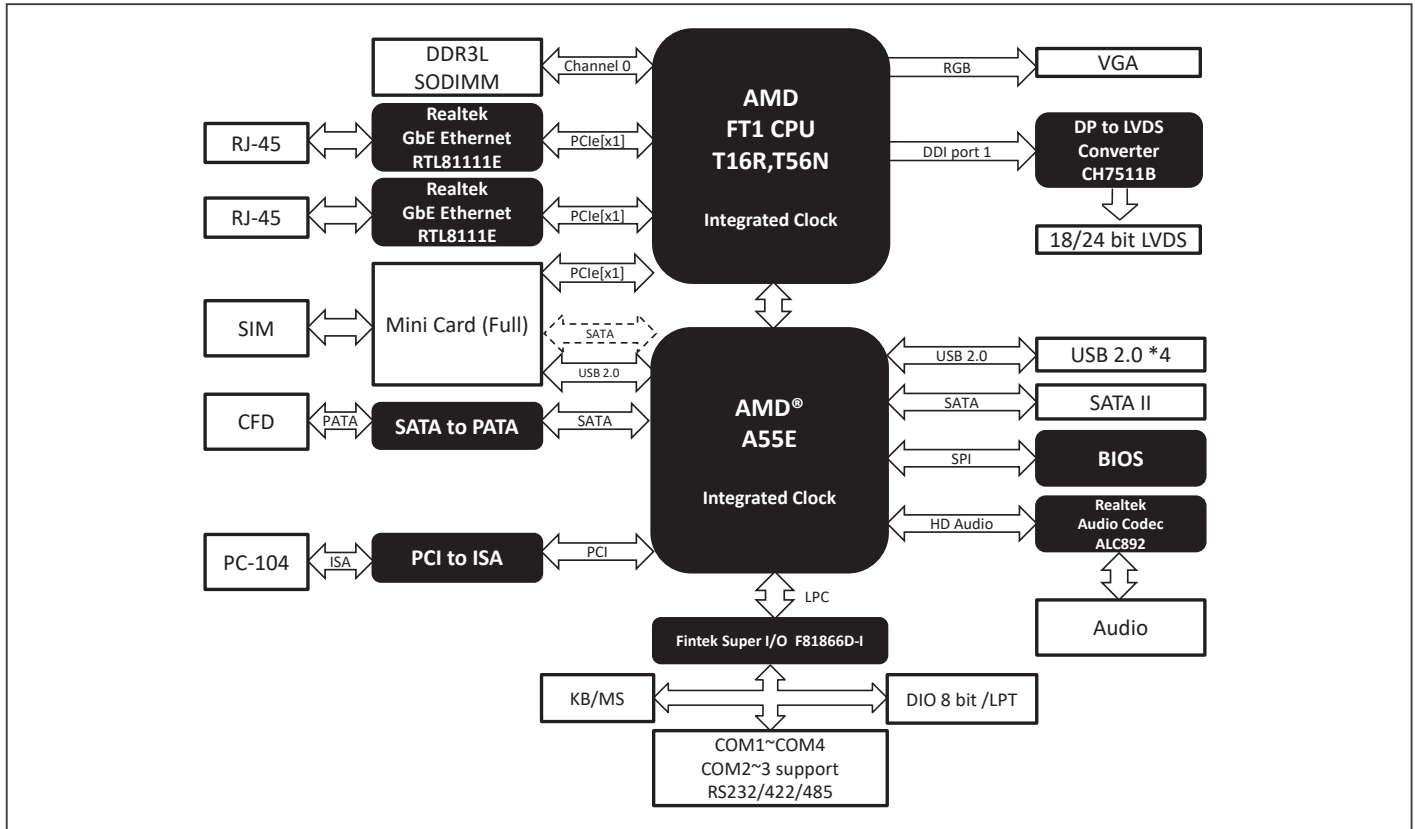
Packing List

- Product DVD
- GENE-A55E with Passive Heatsink

Optional Accessories

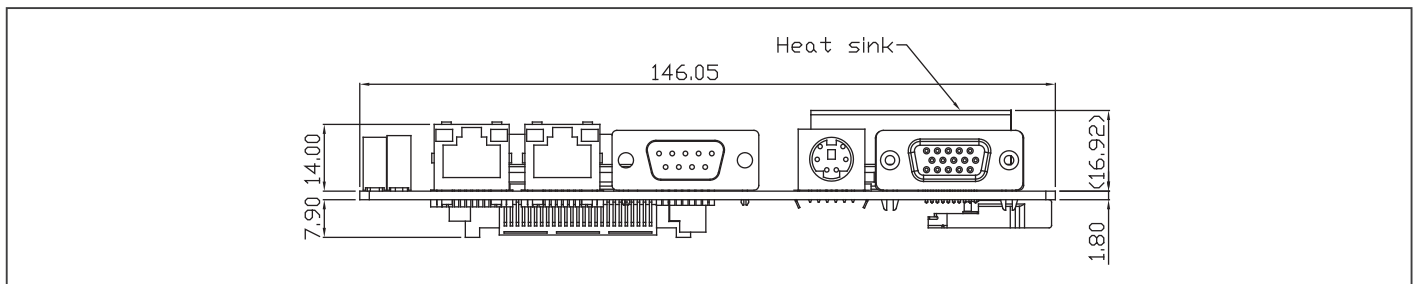
Part Number	Description	QTY
1702200205	(TF)Power Cable, 20P ATX(M), 4P 5.08mm Housing(F), +6P 2.0mm Housing, 20cm	1
170204010A	(TF)Power Cable, 4P Housing(F), Dual 4P Housing(M), 10cm, For GENE-9455	1
1701260200	(TF)Flat Cable, 25P D-SUB FEMALE.26P 2.00mm Pitch Housing, 20cm	1
1701100206	(TF)Flat Cable, 9P DB 9P MALE, 10P 2.00mm Pitch Housing, 20cm	3
1700140510	(TF)Cable, 4P/2.54 Housing RCA Jack x 3, 14P/2.0 Housing, 51cm, for Audio I/O	1
1709100201	(TF)USB Cable, 20cm, 2.0mm, W/Bracket	2
1702150155	(TF)Power Cable, 15P SATA(F), 2P 2.0mm Housing(PH), 15cm	1
1700060192	(TF)Cable, 6P-6P-6P, 19cm, IVORY PS2/KB & Mouse	1
175011901C	(TF)Battery, 3V, Maxell, CR2032M1S8-LF	1
1709070500	(TF)SATA CABLE.7P Pitch 1.27mm.50cm	1

Block Diagram



Dimension

Unit: mm



Ordering Information

Part Number	CPU	Fan/Fanless	Display	LVDS	Storage	LAN	USB	RS-232	RS-232/422/485	Expansion Slot	Power	Power Temp	Others
GENE-A55E-A11-0001	AMD G-T16R	Fanless	VGA/LVDS	24b, 2CH	SATA x 1, CompactFlash™ x 1	GbE x 2	USB2.0 x 4	2	2	Mini-Card co-layout with mSATA, PC/104 x 1, LPC connector	+5V, AT/ATX	0°C ~ 60°C	DIO x 8