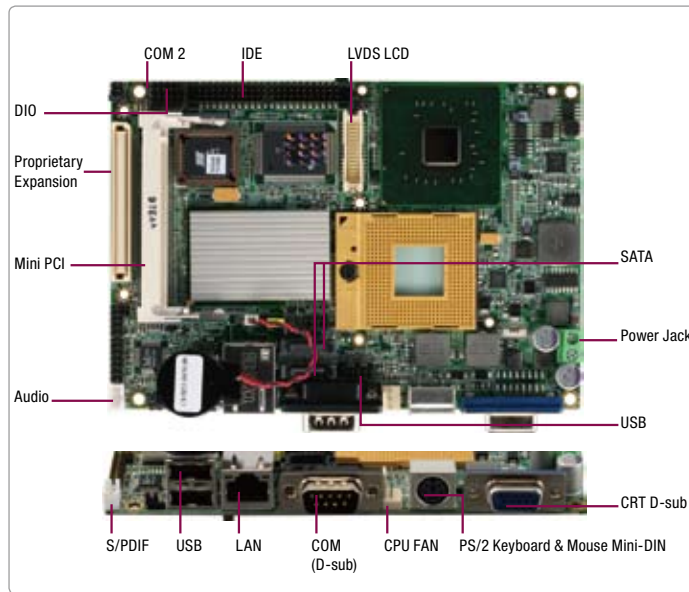


GENE-9310

3.5" SubCompact Board With Intel® Core™ 2 Duo/ Core™ Duo/ Celeron® M (65nm) Processor



Specifications

System	
Form Factor	3.5"
Processor	Socket-478M or onboard Intel® Core™ 2 Duo/ Core™ Duo/ Celeron® M (65nm) processor up to 2.16 GHz, FSB 533/ 667 MHz
System Memory	200 pin DDR2 SODIMM x 1, Max. 2 GB (DDR2 400/533/667)
Chipset	Intel® 945GME + ICH7M
I/O Chipset	ITE IT8712
Ethernet	Intel® 82573L, 10/100/1000Base-TX, RJ-45 x 1
BIOS	Award Plug & Play BIOS - 1 MB Flash
Wake On LAN	Yes
Watchdog Timer	Generates a time-out system reset
H/W Status Monitoring	Supports power supply voltages, Fan speed and temperature monitoring
Expansion Interface	Mini PCI x 1, ECX Proprietary Expansion connector x 1
Battery	Lithium battery
Power Requirement	+12V, AT/ATX
Power Consumption (Typical)	Core™ 2 Duo/ T7400 2.16 GHz, DDR2 667 1 GB +12V@3.89A
Board Size	5.75" (L) x 4" (W) (146 mm x 101.6 mm)
Gross Weight	0.88 lb (0.4 kg)
Operating Temperature	32°F ~ 140°F (0°C ~ 60°C)
Storage Temperature	-40°F ~ 176°F (-40°C ~ 80°C)
Operating Humidity	0% ~ 90% relative humidity, non-condensing
MTBF (Hours)	70,000
Display	
Supports CRT/LCD simultaneous/ Dual view displays	
Chipset	Intel® 945GME integrated
Memory	Shared system memory up to 224 MB/ DVMT3.0
Resolutions	Up to 2048 x 1536 for CRT Up to 1920 x 1200 for LCD
LCD Interface	Up to 24-bit dual-channel LVDS
I/O	
Storage	EIDE x 1 (UDMA 33 for two devices), SATA 1.5Gb/s x 2, Type 2 CompactFlash™ x 1
Serial Port	RS-232 x 1, RS-232/422/485 (auto flow) x 1
USB	USB2.0 x 4
PS/2 Port	Keyboard x 1, Mouse x 1
Digital I/O	Supports 8-bit (Programmable)
Audio	Mic-in, Line-in, Line-out, CD-in, S/PDIF in/out

Features

- Intel® Core™ 2 Duo/ Core™ Duo/ Celeron® M (65nm) Processor Up To 2.16 GHz
- Intel® 945GME + ICH7M
- SODIMM DDR2 400/533/667 Max. 2 GB
- Gigabit Ethernet x 1, RJ-45 x 1
- CRT, 24-bit Dual-channel LVDS LCD
- AC97 2.3 Codec 2CH Audio
- EIDE x 1, SATA 1.5Gb/s x 2, CompactFlash™ x 1
- 8-bit Digital I/O, USB x 4, COM x 2
- Flexible Expansion: Mini PCI Socket And ECX Proprietary Expansion Connector
- +12V Only Operation
- Optional Extension Board Supports:
24-bit Dual-channel LVDS or DVI, USB x 1, SATA 1.5Gb/s x 2 (Support RAID 0 & RAID 1) or PCI-E [x1] x 1, COM x 4, LPC x 1 & PCI x 1 Signals



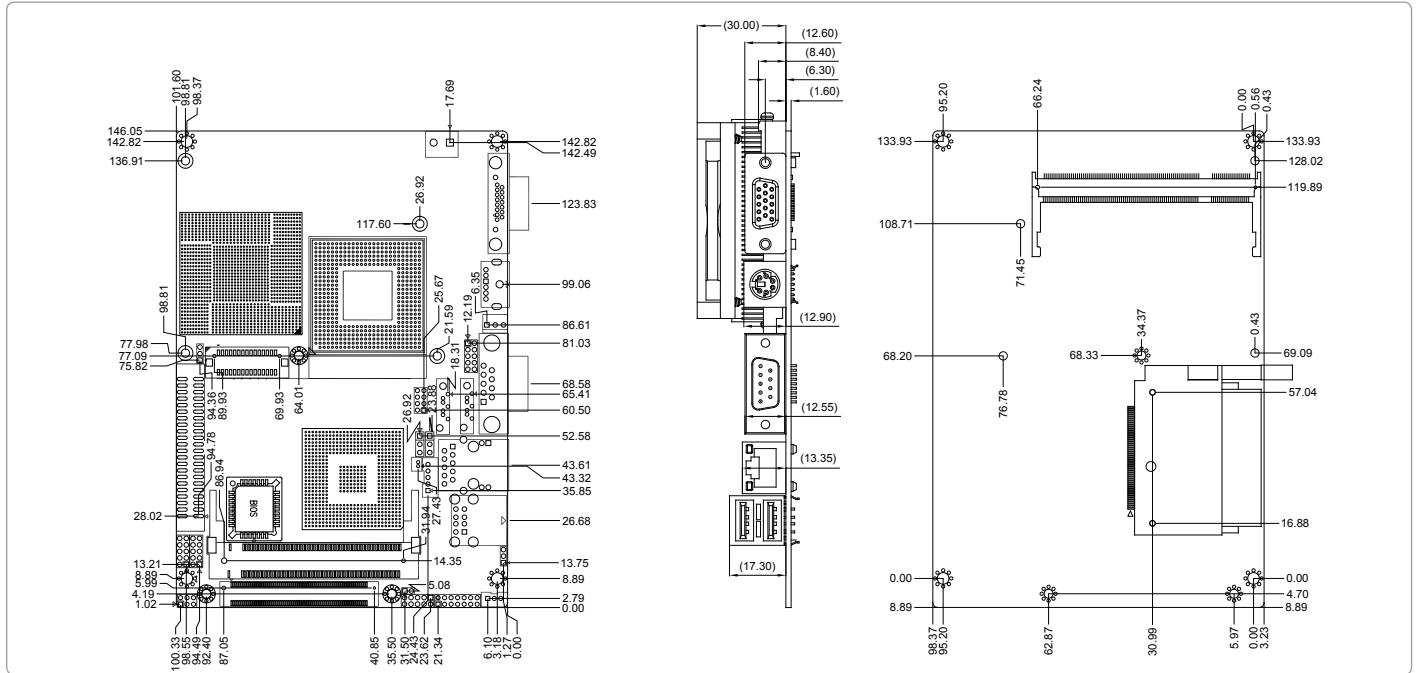
Packing List

- 1700060192
Keyboard/ Mouse Cable
- 9657666600
Jumper Cap
- Cooler or Heatsink
- Product CD
- GENE-9310

GENE-9310

Dimension

Unit: mm



Ordering Information

Part Number	CPU	Fan/Fan-less	Display	LVDS	Storage	LAN	USB	RS-232	RS-232/422/485	Expansion Slot	Power	Temp
TF-GENE-9310-A11	Intel® Celeron® M 1.06 GHz	FAN	CRT + LVDS	24-bit, 2CH	EIDE x 1, SATA x 2, CompactFlash™ x 1	GbE x 1	4	1	1	Mini PCI x 1 ECX Proprietary Expansion x 1	+12V, AT/ATX	0°C ~ 60°C
TF-GENE-9310-A11-01	Intel® Celeron® M 1.06 GHz	Fanless	CRT + LVDS	24-bit, 2CH	EIDE x 1, SATA x 2, CompactFlash™ x 1	GbE x 1	4	1	1	Mini PCI x 1 ECX Proprietary Expansion x 1	+12V, AT/ATX	0°C ~ 60°C

Optional Accessories

- **1701100206**
COM Port Cable, 9P DB Male, Length 20cm
- **1701440500**
IDE Cable, Length 30+20cm
- **1709100208**
USB Cable, Length 20cm
- **1709070500**
SATA Cable, Length 50cm
- **1709140181**
Audio Cable, Audio Jack, Length 18cm
- **1709030150**
SPDIF Cable, Length 15cm
- **TF-PER-T061-A10**
ECX Expansion Board, LVDS, 2 SATA, 4 COM, 1 USB, Rev. A1.0
- **TF-PER-T061-A10-01**
ECX Expansion Board, DVI, 2 SATA, 4 COM, 1 USB, Rev. A1.0
- **TF-PER-T099-A10**
ECX Extension Board, LVDS, PCI-Express, 2 COM, Rev. A1.0
- **TF-PER-T099-A10-01**
ECX Extension Board, LVDS, Mini Card, 2 COM, Rev. A1.0
- **TF-PER-T099-A10-02**
ECX Extension Board, DVI, PCI-Express, 2 COM, Rev. A1.0
- **TF-PER-T099-A10-03**
ECX Extension Board, DVI, Mini Card, 2 COM, Rev. A1.0